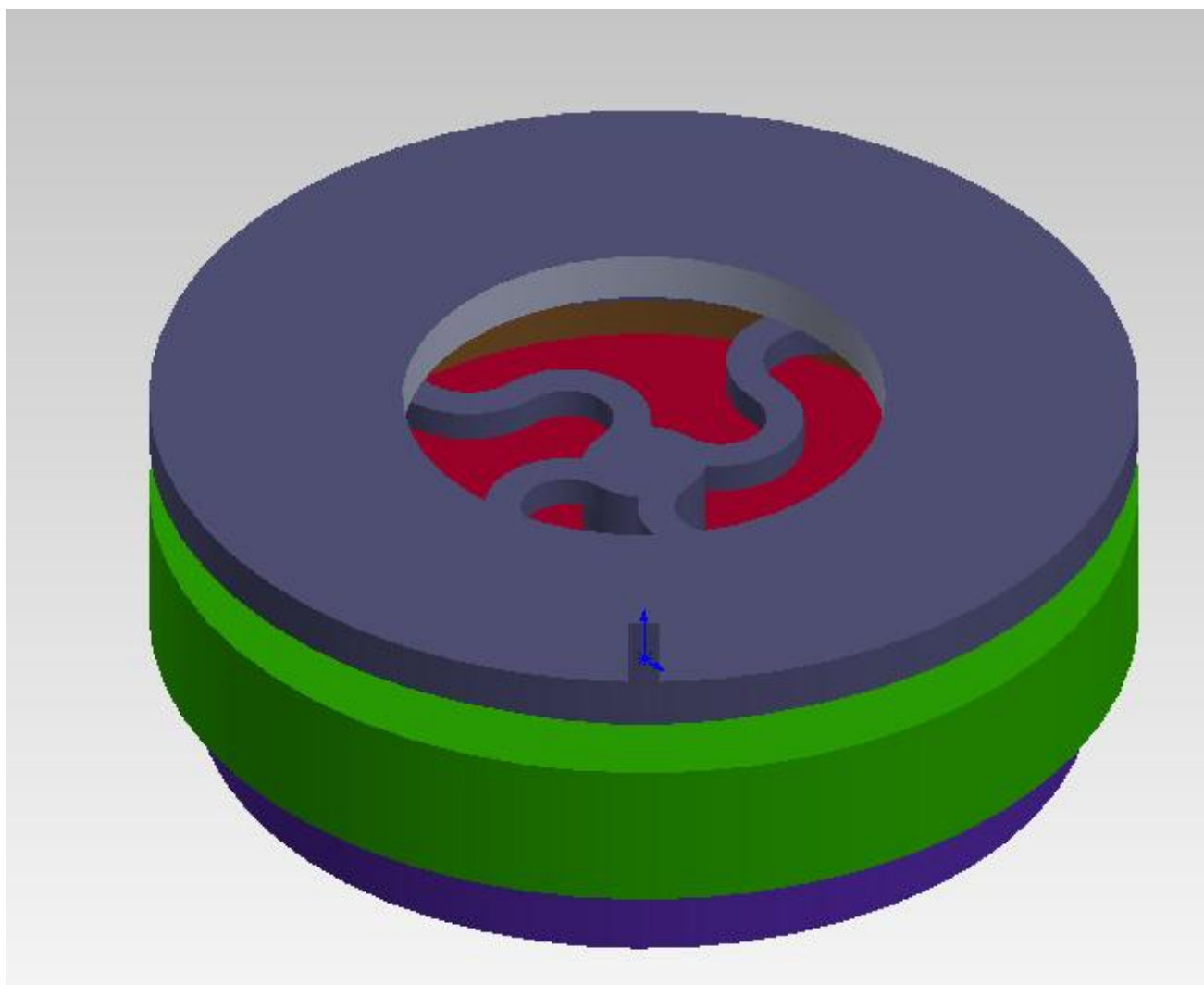


SPECIFICATION

BTD16-08H5.8 LF





SPECIFICATION FOR DYNAMIC LOUDSPEAKER

TOTAL PAGE	8	www.bestargroups.com	RoHS
------------	---	--	------

Preliminary Specification

Customer		Model Name	BTD16-08H5.8 LF
Customer P/N		Product No.	125314
Date	Jan23.14	Issue No.	BS/TES01.1289A
Page	02 of 09	Issue Date	2014/01/23

Approval:

- 1.Characteristics
- 2.Drawing
- 3.Reliability Test
- 4.Packing
- 5.History Change Record

Drawn by	Checked by	Approved by	Customer approved
魏春新	汪风声	徐金国	

BESTAR ACOUSTICS CO.,LTD

No.199 HuangHe West Road,New district,ChangZhou,JiangSu Province,P.R.China

Tel: +86 519 88222567 **Fax:** +86 519 88222551

E-mail:wu@be-star.com **<http://www.bestargroups.com>**

BTD16-08H5.8 LF

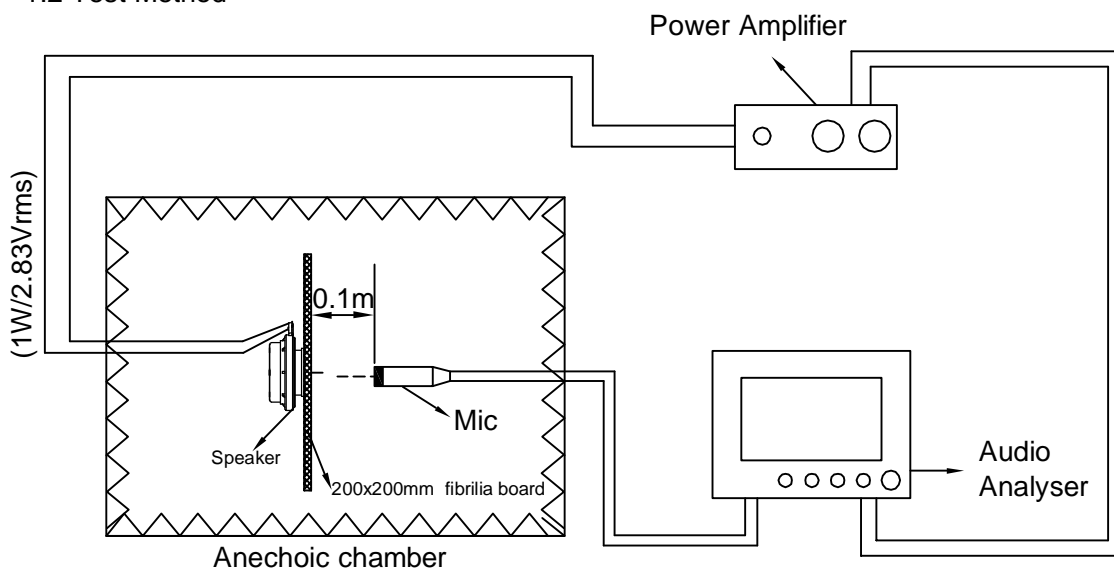


1.Characteristics

1.1 Electrical and Mechanical Characteristics

No.	Item	Specification
1.	Dimension	16 ×5.8 (mm)
2.	AC Impedance	8 Ω ± 10%(at 1KHz)
3.	Rated Input Power	1W
4.	Maximum Input Power	2W
5.	Resonance Frequency	500Hz ±20%
6.	Frequency Response	F0~15KHz
7.	S.P.L (1w/0.1m)	75±3dB at 1KHz
8.	THD (1w/0.1m)	≤5% (at 1KHz/1W)
9.	Buzzes & Rattles	Must be normal at sine wave 2.83Vrms
10.	Polarity	Positive voltage to (+),Diaphragm moves forward
11.	Operating Temperature	- 20~+ 55°C

1.2 Test Method



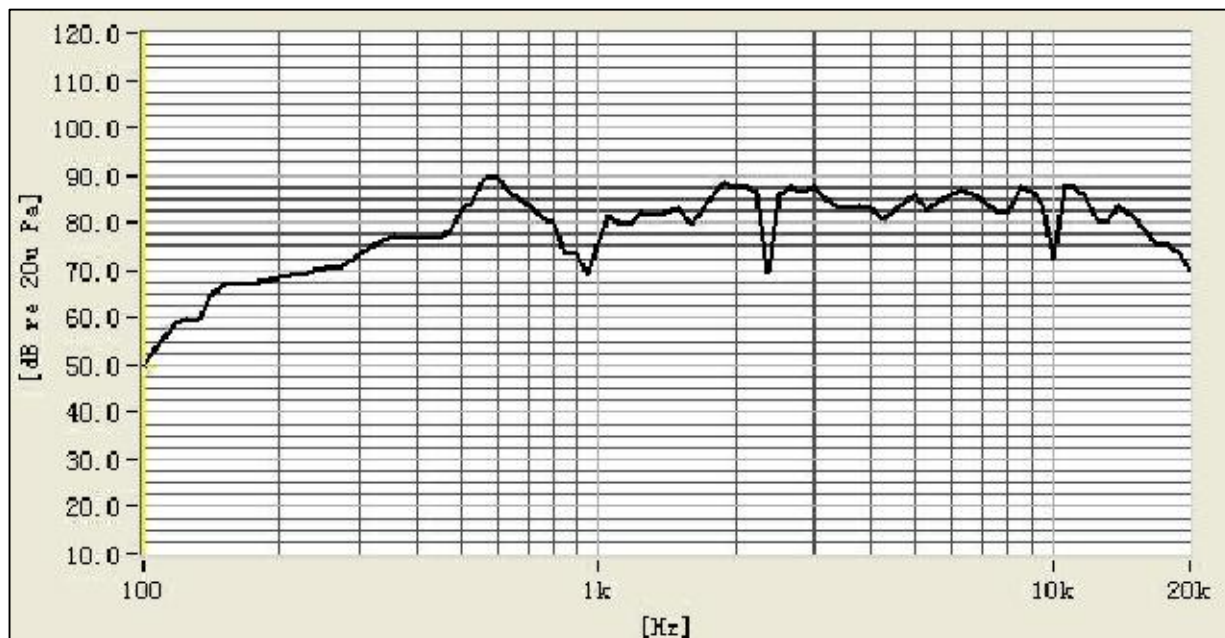
This print and information there in are proprietary to BeStar Acoustics Co., Ltd. and shall not be used in whole or in part without its written content

				Date:	2014/01/23	BTD16-08H5.8 LF
				Drawn by:	魏春欢	
A	2014/01/23	魏春欢		Checked by:	汪风声	Speaker
Rev.	Date	Drawn	Note	Approved by:	徐金国	
BESTAR ACOUSTICS CO.,LTD						DRG NO: BS/TES01.1289A
www.bestargroups.com wu@be-star.com						Page:03 of 08

BTD16-08H5.8 LF

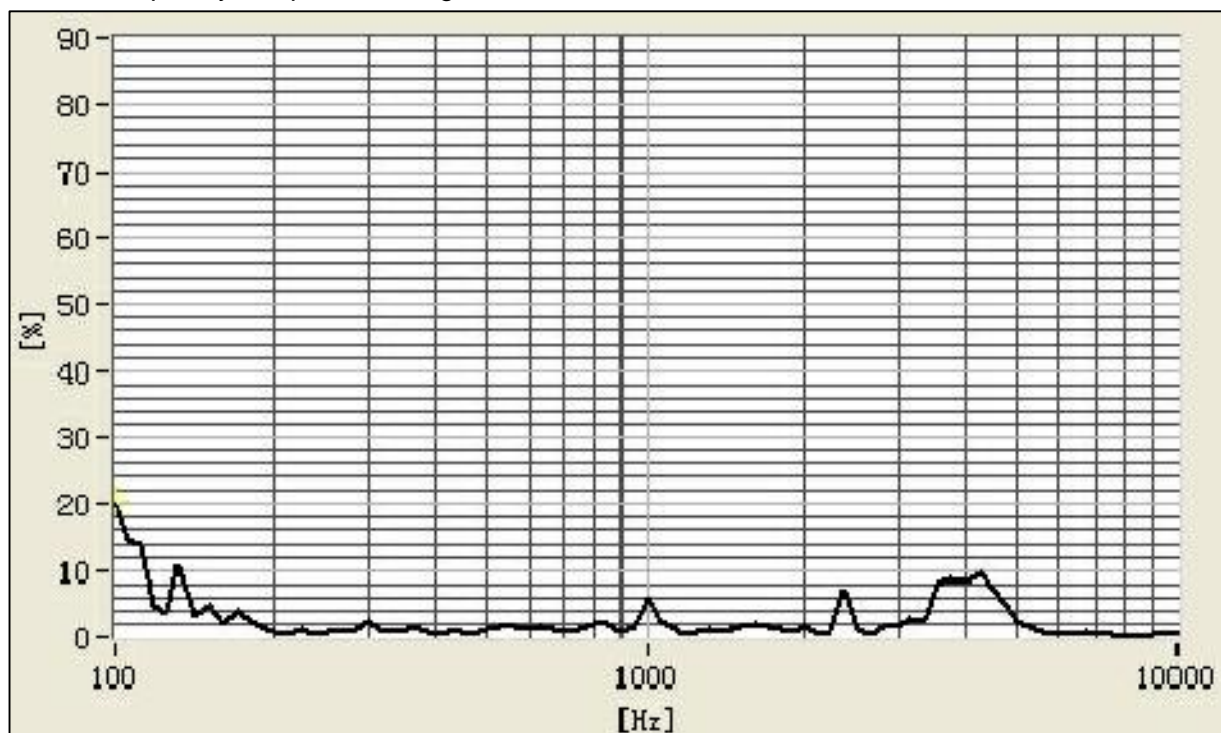
1.3 Frequency Response Curve (only for reference)

A: Frequency Response Magn 0 dB re 20.00 μ Pa/V 1/12Oct



1.4 Total Harmonic Distortion Curve (only for reference)

A: Frequency Response Magn 0 dB re 20.00 μ Pa/V 1/12Oct



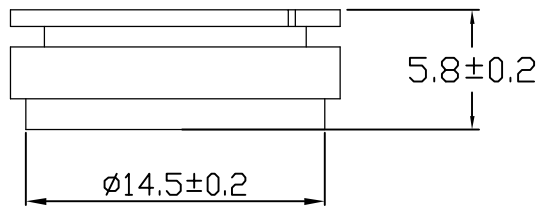
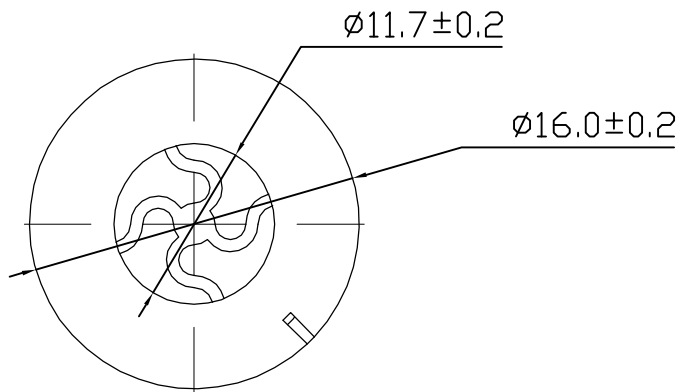
This print and information there in are proprietary to BeStar Acoustics Co., Ltd. and shall not be used in whole or in part without its written content

				Date:	2014/01/23	BTD16-08H5.8 LF
				Drawn by:	魏春欢	
A	2014/01/23	魏春欢		Checked by:	汪风声	Speaker
Rev.	Date	Drawn	Note	Approved by:	徐金国	
BESTAR ACOUSTICS CO.,LTD						DRG NO: BS/TES01.1289A
www.bestargroups.com wu@be-star.com						Page:04 of 08

BTD16-08H5.8 LF

2.Drawing

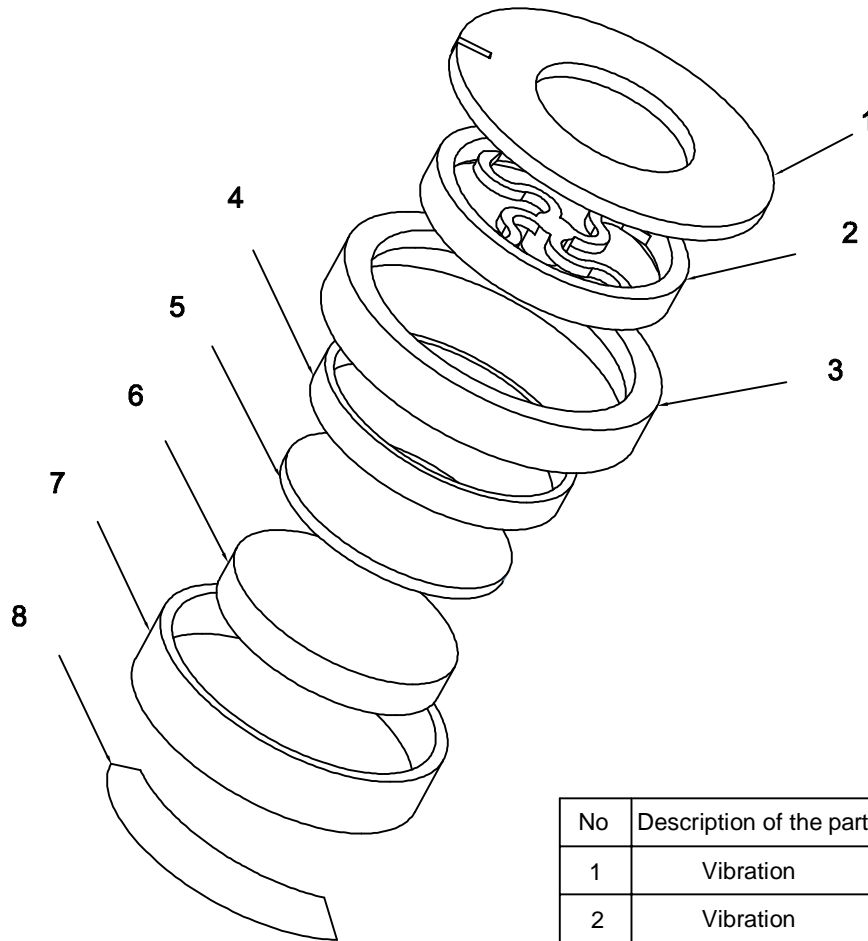
unit:mm
tolerance:±0.2



This print and information there in are proprietary to BeStar Acoustics Co., Ltd. and shall not be used in whole or in part without its written content

				Date:	2014/01/23	BTD16-08H5.8 LF
				Drawn by:	魏春欢	
A	2014/01/23	魏春欢		Checked by:	汪凤声	Speaker
Rev.	Date	Drawn	Note	Approved by:	徐金国	
BESTAR ACOUSTICS CO.,LTD						DRG NO: BS/TE01.1289A
www.bestargroups.com wu@be-star.com						Page:05 of 08

BTD16-08H5.8 LF



No	Description of the part
1	Vibration
2	Vibration
3	Frame
4	Coil
5	Plate
6	Magnet
7	Yoke
8	FPCB

This print and information there in are proprietary to BeStar Acoustics Co., Ltd. and shall not be used in whole or in part without its written content

				Date:	2014/01/23	BTD16-08H5.8 LF	
				Drawn by:	魏春欢		
Rev.	Date	Drawn	Note	Checked by:	汪凤声	Speaker	
A	2014/01/23	魏春欢		Approved by:	徐金国		
BESTAR ACOUSTICS CO.,LTD						DRG NO: BS/TE01.1289A	Page:05 of 08
www.bestargroups.com wu@be-star.com							

BTD16-08H5.8 LF

3. Reliability Test

3.1 Load Test

Power (Nom)
Duration

1W(white noise)
96hrs

3.2 High Temperature Test

Temperature
Duration

+55±2°C
96hrs

3.3 Low Temperature Test

Temperature
Duration

- 20±2°C
96hrs

3.4 Damp Heat

Temperature
Relative Humidity
Duration

40±2°C
90%-95%RH
96hrs

Notice:

1. After test leave at room temperature for 1 hours, SPL shall not deviate by ±3dB from pre-test measurement, and meet above spec. item 7,8,9

This print and information there in are propriety to Bester Electronics Industry Co., Ltd. and shall not be used in whole or in part without its written content

				Date:	2014/01/23	BTD16-08H5.8 LF
				Drawn by:	魏春欢	
A	2014/01/23	魏春欢		Checked by:	汪风声	Speaker
Rev.	Date	Drawn	Note	Approved by:	徐金国	
BESTAR ACOUSTICS CO.,LTD						DRG NO: BS/TES01.1289A
						Page:06 of 08

BTD16-08H5.8 LF

4. Packing

T B D

This print and information there in are propriety to Bestar Electronics Industry Co., Ltd. and shall not be used in whole or in part without its written content

				Date:	2014/01/23	BTD16-08H5.8 LF
				Drawn by:	魏春欢	
A	2014/01/23	魏春欢		Checked by:	汪风声	Speaker
Rev.	Date	Drawn	Note	Approved by:	徐金国	
BESTAR ACOUSTICS CO.,LTD					DRG NO: BS/TES01.1289A	
					Page:07 of 08	

BTD16-08H5.8 LF

5. History Change Record

version No.	Change Items		Date	Drawn	Approved
	Before	After			
A			2013/11/19	汪凤声	徐金国

This print and information there in are proprietary to BeStar Acoustics Co., Ltd. and shall not be used in whole or in part without its written content.

				Date:	2014/01/23	BTD16-08H5.8 LF
				Drawn by:	魏春欢	
A	2014/01/23	魏春欢		Checked by:	汪凤声	Speaker
Rev.	Date	Drawn	Note	Approved by:	徐金国	
BESTAR ACOUSTICS CO.,LTD						
www.bestargroups.com wu@be-star.com						
					DRG NO: BS/TES01.1289A	Page:08 of 08