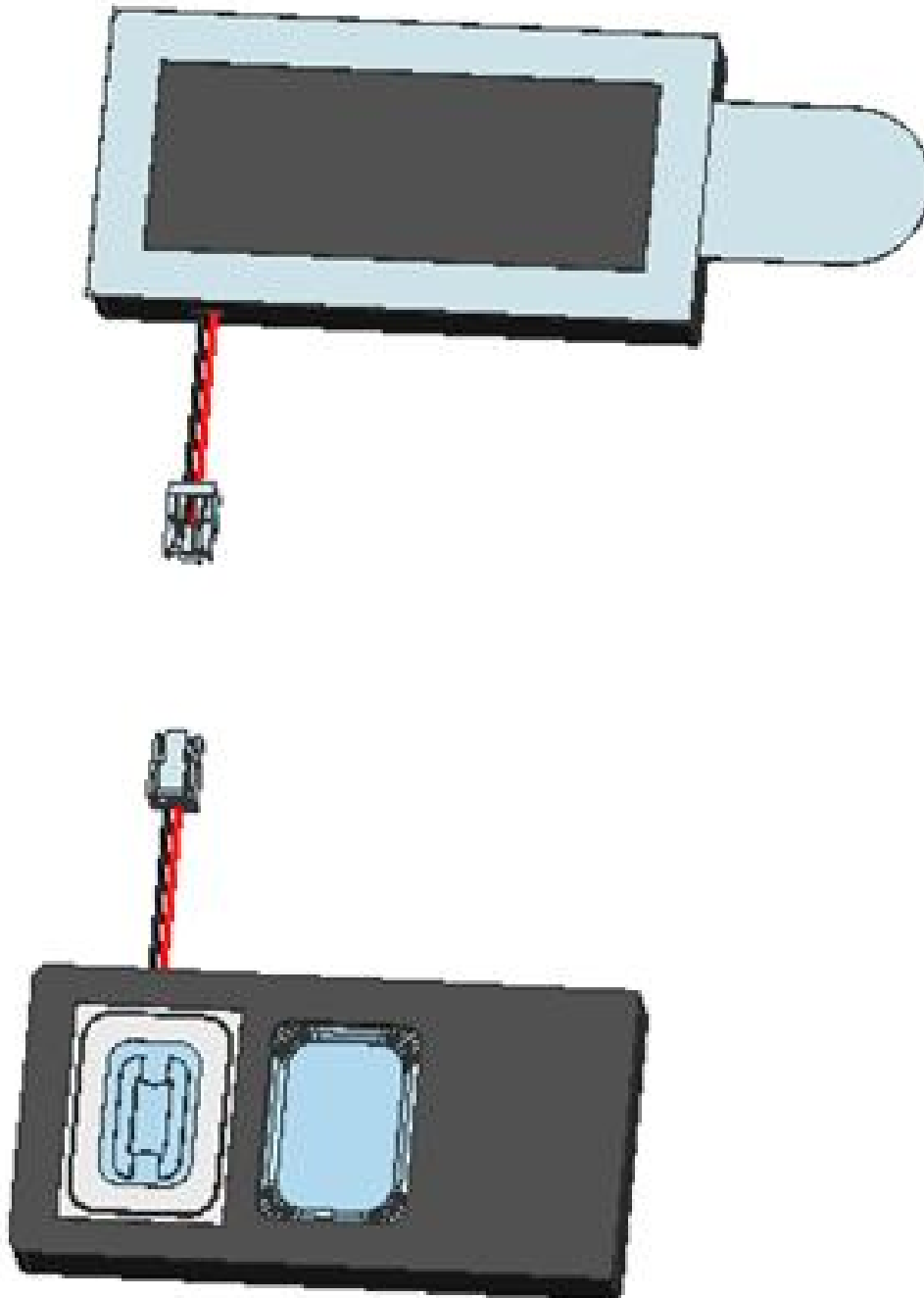


SPECIFICATION

B-Bass Sounder-SS-26.2 LW



文件号: BS/QDTE045B

BeStar



APPROVAL SHEET FOR SMARTPHONE SPEAKER

TOTAL PAGE

12

www.bestargroups.com

RoHS

Customer		Model Name	B-Bass Sounder-SS-26.2LW
Customer P/N		Product No.	*****
Date	18 Dec.2013	Issue No.	BS/TES01.****A
Page	01 of 12	Issue Date	2013/12/18

Table of Contents:

- 1.Test Climatic Condition
- 2.Description
- 3.Characteristics
- 4.Test Setup
- 5.Drawing
- 6.Reliability Test
- 7.Packing
- 8.History Change Record

Drawn by	Checked by	Approved by	Customer approved

BESTAR ACOUSTICS CO.,LTD

No.199 HuangHe West Road.New district,ChangZhou,JiangSu Province,P.R.China

Tel: +86 519 88222567

Fax: +86 519 88222551

E-mail:wu@be-star.com

<http://www.bestargroups.com>

B-Bass Sounder-SS-26.2LW

1. Test Climatic Condition

- 1.1 Ambient Temperature :15°C~35°C, Preferably at 20°C
- 1.2 Relative Humidity:25% to 75%
- 1.3 Air Pressure:86kPa~106kPa

No.	Item	Specification
1.	Dimension	40 x20 x 4.5(mm)
2.	AC Impedance	8 Ω ±15%(at 2KHz/1Vrms)
3.	Rated Input Power	0.5W(2.0Vrms)
4.	Maximum Input Power	1.0W(2.83Vrms)
5.	Fo	Driver 850Hz±20%;Passive Driver 230Hz±20%
6.	Frequency Response	F0~20KHz
7.	S.P.L	91±3dB/0.1m/0.5W at 2KHz(Driver)
		74±3dB at 230Hz (Passive Driver)
8.	THD	≤10% (at 1KHz/0.5W) ,Show in Page5
9.	Buzzes & Rattles	Must be normal at sine wave 2Vrms from 300~3400Hz
10.	Polarity	Positive voltage to (+),Diaphragm moves forward
11.	Operating Temperature	-20~+ 70°C
12.	Storage Temperature	-20~+ 70°C

2. Description

- 2.1 Acoustic component Performance Specification
- 2.2 The present document specifies performance requirements for the acoustic characteristics of speaker

3. Characteristics

- 3.1 Electrical and Mechanical Characteristics

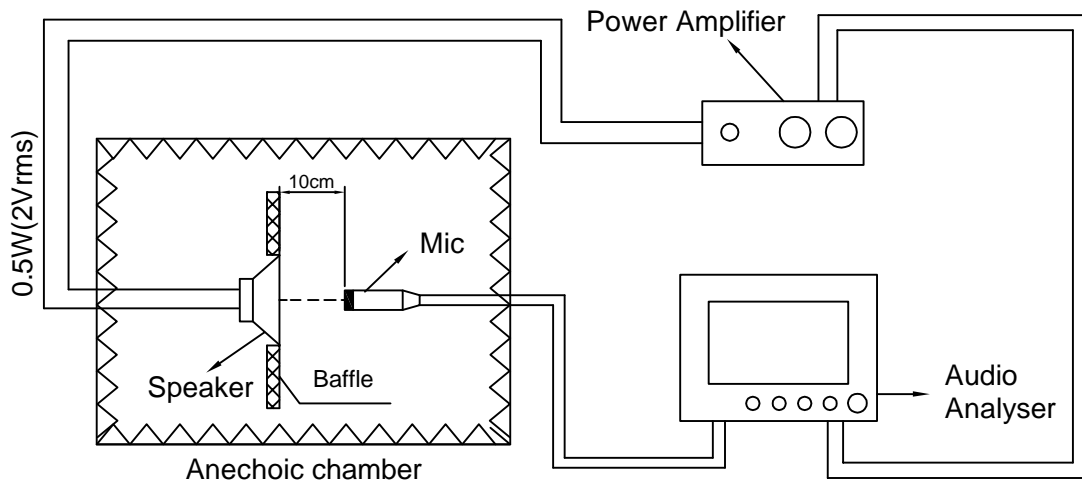
				Date:	2013/12/18	B-Bass Sounder-SS-26.2LW	
				Drawn by:	王凯		
A	2013/12/18	王凯		Checked by:	王凯	Speaker	
Rev.	Date	Drawn	Note	Approved by:	汪珍珍		
BESTAR ACOUSTICS CO.,LTD						DRG NO: BS/TES01.****A	Page:02 of 12
www.bestargroups.com wu@be-star.com							

This print and information there in are proprietary to Bestar Acoustics Co., Ltd. and shall not be used in whole or in part without its written content

B-Bass Sounder-SS-26.2LW

4. Test Setup

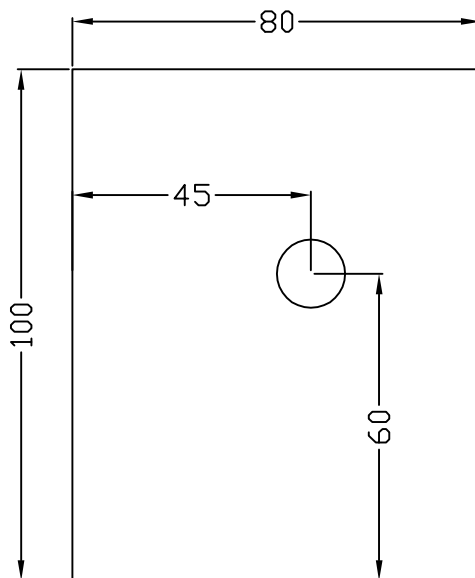
4.1 Speaker Measurement Circuit



4.2 Baffle Drawing

unit:cm

tolerance:±2



4.3 Test Method

The speaker shall be mounted in a baffle of the dimensions 80X100cm show figure 4.2,

The measuring free-field microphone shall be placed 10cm from DUT, on axis.

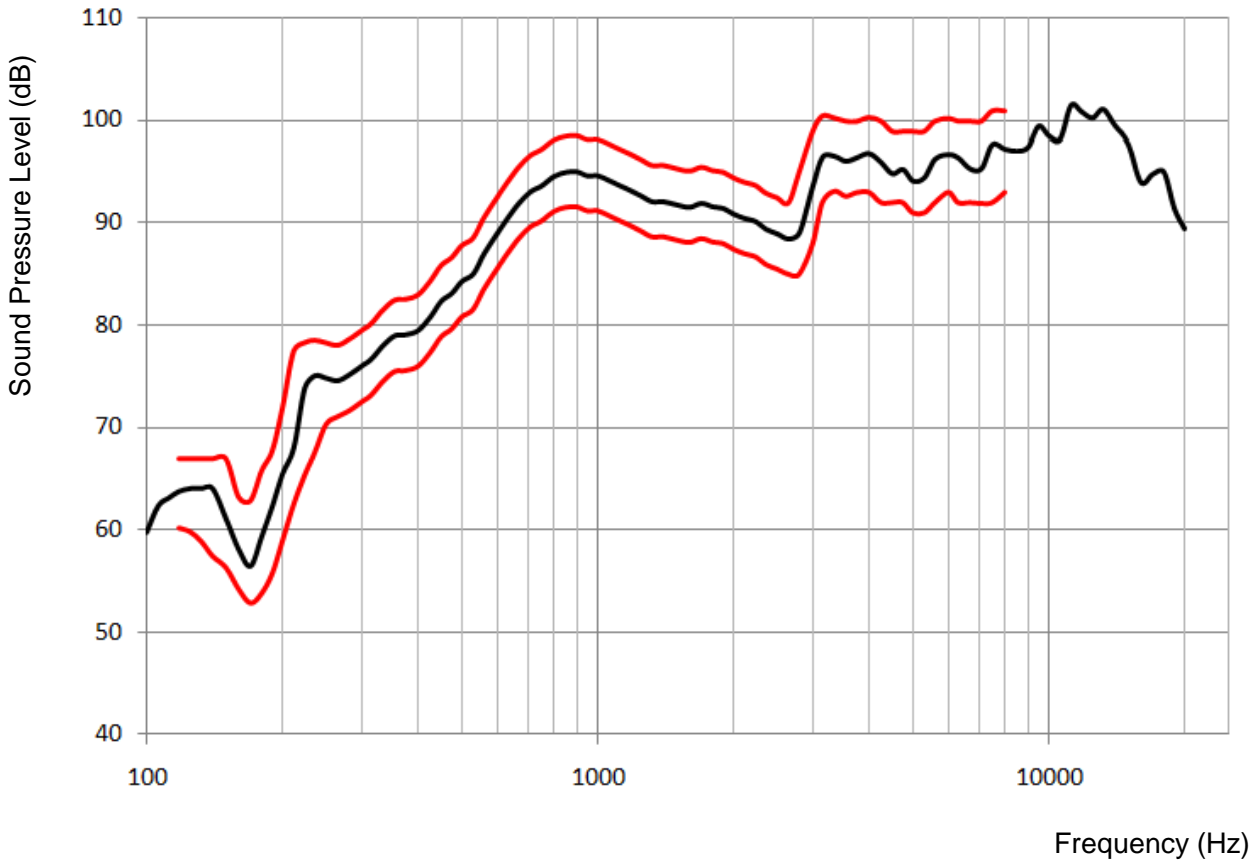
The test voltage is 0.5W and swept sine-wave range is 100Hz~20KHz with a R80 of test sequence

				Date:	2013/12/18	B-Bass Sounder-SS-26.2LW
				Drawn by:	王凯	
A	2013/12/18	王凯		Checked by:	王凯	Speaker
Rev.	Date	Drawn	Note	Approved by:	汪珍珍	
BESTAR ACOUSTICS CO.,LTD						DRG NO: BS/TES01.****A
www.bestargroups.com wu@be-star.com						Page:03 of 12

B-Bass Sounder-SS-26.2LW

4.4 Frequency Response Curve (only for reference)

A: Frequency Response Magn 0 dB re 20.00 μ Pa/V 1/12Oct



4.4.1 Sensitivity

SPL is expressed in dB rel 20 μ Pa, computed according to IEC 268-5. Measurement set up according chapter 4.1 and parameters according chapter 4.4.

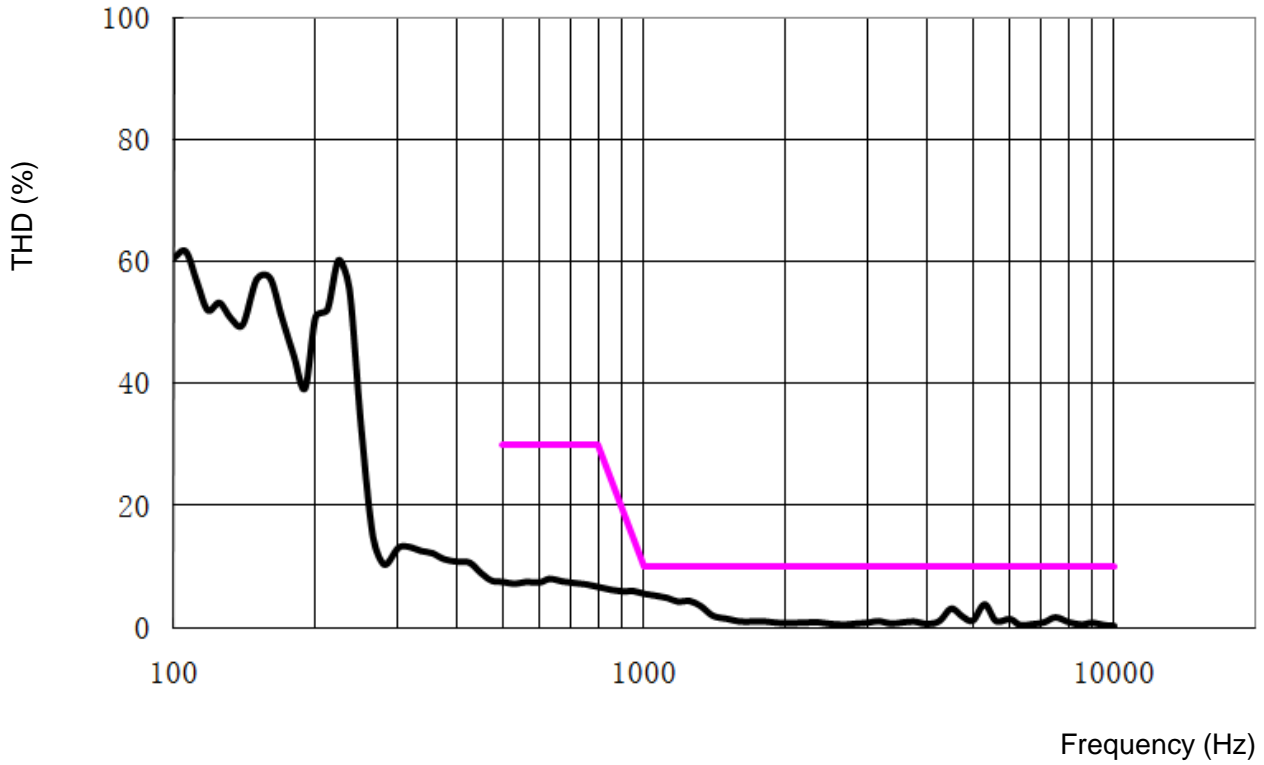
This test is performed on the production line by 100%.

				Date:	2013/12/18	B-Bass Sounder-SS-26.2LW
				Drawn by:	王凯	
A	2013/12/18	王凯		Checked by:	王凯	Speaker
Rev.	Date	Drawn	Note	Approved by:	汪珍珍	
BESTAR ACOUSTICS CO.,LTD						DRG NO: BS/TES01.****A
www.bestargroups.com wu@be-star.com						Page:04 of 12

B-Bass Sounder-SS-26.2LW

4.5 Total Harmonic Distortion (only for reference)

A: Frequency Response Magn 0 dB re 20.00 μ Pa/V 1/12Oct



4.5.1 THD

THD is measured according test set up in chapter 4.1 and parameters according chapter 4.5

This test is performed on the production line by 100%.

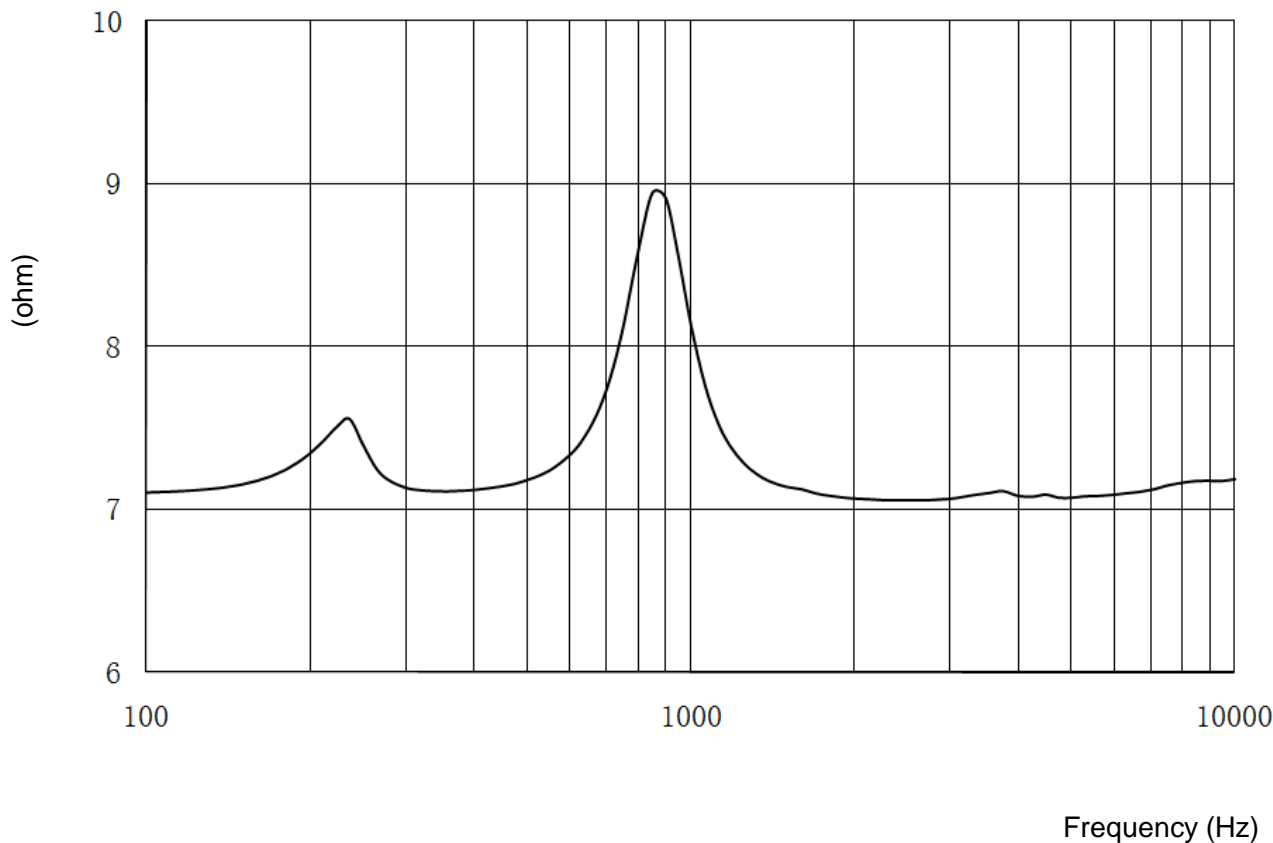
This print and information there in are proprietary to Bestar Acoustics Co., Ltd. and shall not be used in whole or in part without its written content

				Date:	2013/12/18	B-Bass Sounder-SS-26.2LW	
				Drawn by:	王凯		
A	2013/12/18	王凯		Checked by:	王凯	Speaker	
Rev.	Date	Drawn	Note	Approved by:	汪珍珍		
BESTAR ACOUSTICS CO.,LTD						DRG NO: BS/TES01.****A	Page:05 of 12
www.bestargroups.com wu@be-star.com							

B-Bass Sounder-SS-26.2LW

4.6 F0 Curve (only for reference)

A: Frequency Response Magn 0 dB re 20.00 μ Pa/V 1/12Oct



4.6.1 Resonance Frequency

Resonance frequency is measured according test set up in chapter 4.1 and parameters according chapter 4.6

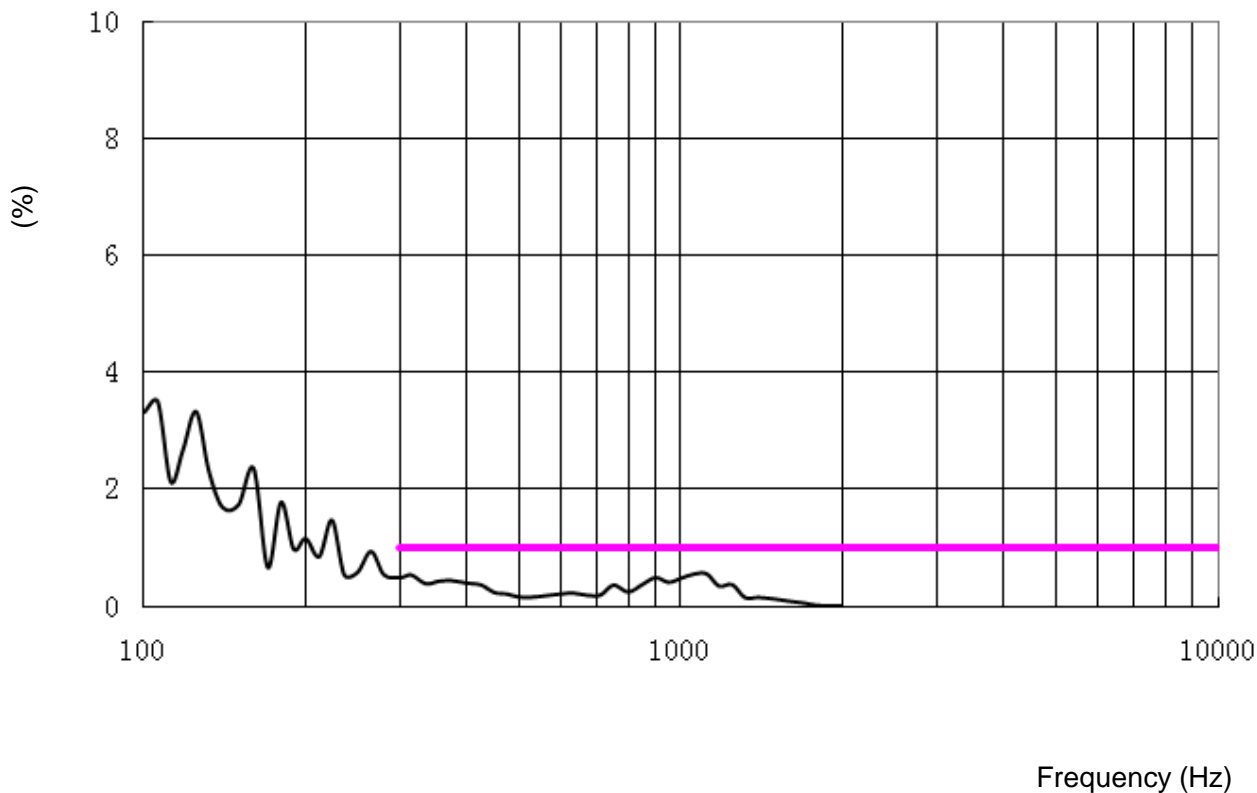
This test is performed on the production line by 100%.

				Date:	2013/12/18	B-Bass Sounder-SS-26.2LW
				Drawn by:	王凯	
A	2013/12/18	王凯		Checked by:	王凯	Speaker
Rev.	Date	Drawn	Note	Approved by:	汪珍珍	
BESTAR ACOUSTICS CO.,LTD						DRG NO: BS/TES01.****A
www.bestargroups.com wu@be-star.com						Page:06 of 12

B-Bass Sounder-SS-26.2LW

4.7 R&B Curve (only for reference)

A: Frequency Response Magn 0 dB re 20.00 μ Pa/V 1/12Oct



4.7.1 R&B

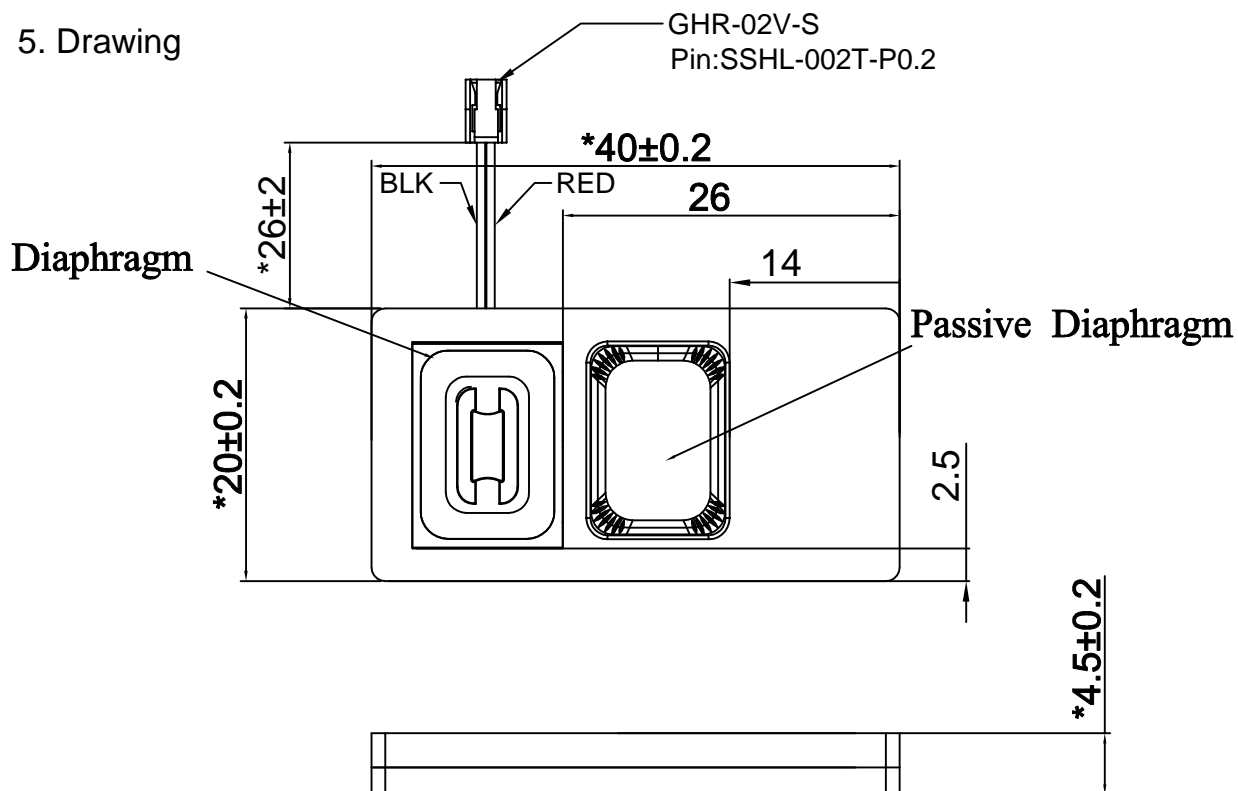
R&B is measured according test set up in chapter 4.1 and parameters according chapter 4.7

This test is performed on the production line by 100%.

				Date:	2013/12/18	B-Bass Sounder-SS-26.2LW
				Drawn by:	王凯	
A	2013/12/18	王凯		Checked by:	王凯	Speaker
Rev.	Date	Drawn	Note	Approved by:	汪珍珍	
BESTAR ACOUSTICS CO.,LTD						DRG NO: BS/TES01.****A
www.bestargroups.com wu@be-star.com						Page:07 of 12

B-Bass Sounder-SS-26.2LW

5. Drawing

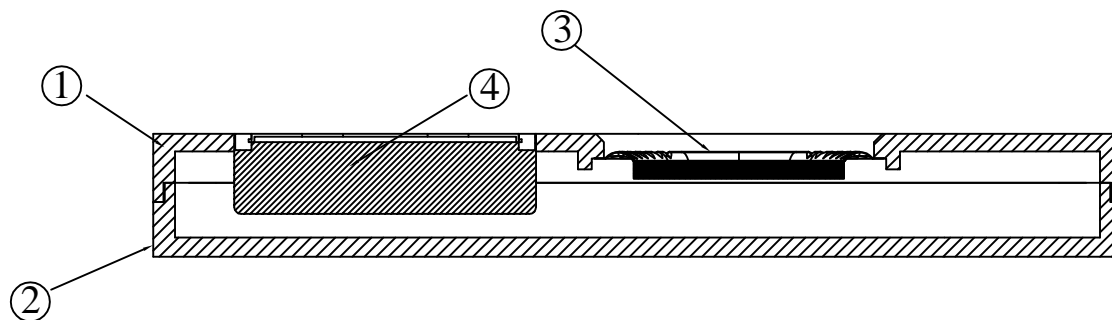


unit:mm
tolerance:±0.2

				Date:	2013/12/18	B-Bass Sounder-SS-26.2LW
				Drawn by:	王凯	
A	2013/12/18	王凯		Checked by:	王凯	Speaker
Rev.	Date	Drawn	Note	Approved by:	汪珍珍	
BESTAR ACOUSTICS CO.,LTD						DRG NO: BS/TES01.****A
www.bestargroups.com wu@be-star.com						Page:08 of 12

This print and information there in are proprietary to Bestar Acoustics Co., Ltd. and shall not be used in whole or in part without its written content.

B-Bass Sounder-SS-26.2LW



No	Description of the part	Material
1	Top Cover	ABS
2	Bottom Cover	ABS
3	Passive Diaphragm	PEEK
4	Driver	BeStar Assemble

unit:mm
tolerance:±0.2

				Date:	2013/12/18	B-Bass Sounder-SS-26.2LW	
				Drawn by:	王凯		
A	2013/12/18	王凯		Checked by:	王凯	Speaker	
Rev.	Date	Drawn	Note	Approved by:	汪珍珍		
BESTAR ACOUSTICS CO.,LTD						DRG NO: BS/TES01.****A	Page:09 of 12
www.bestargroups.com wu@be-star.com							

B-Bass Sounder-SS-26.2LW

6. Reliability Test

6.1 Load Test

Power (Nom) 0.5W
Duration 96hrs

6.2 High Temperature Test

Temperature $+70\pm 3^{\circ}\text{C}$
Duration 96hrs

6.3 Low Temperature Test

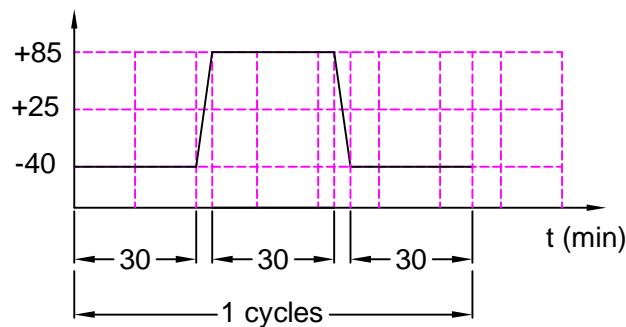
Temperature $-20\pm 3^{\circ}\text{C}$
Duration 96hrs

6.4 Damp Heat

Temperature $40\pm 3^{\circ}\text{C}$
Relative Humidity 90%-95%RH
Duration 96hrs

6.5 Temperature Cycle Test

Cycles 10



6.6 Drop Test

Height 1.0m
Drop face thick ness wooden board (20mm)
Times 10
(three times in each direction)

Notice:

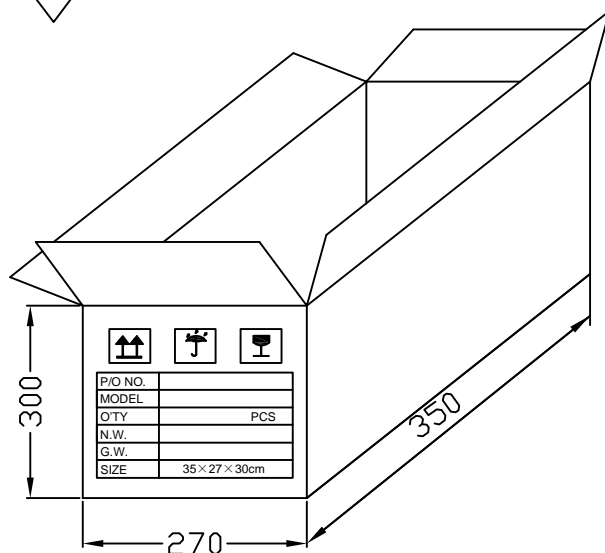
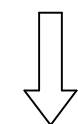
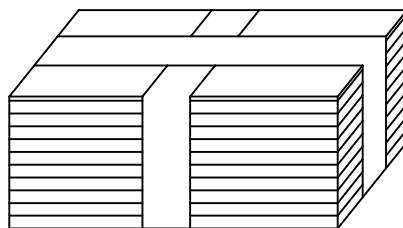
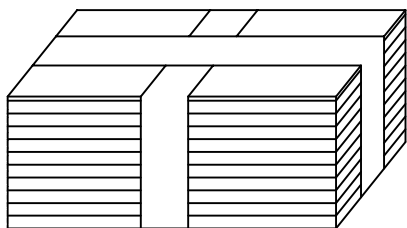
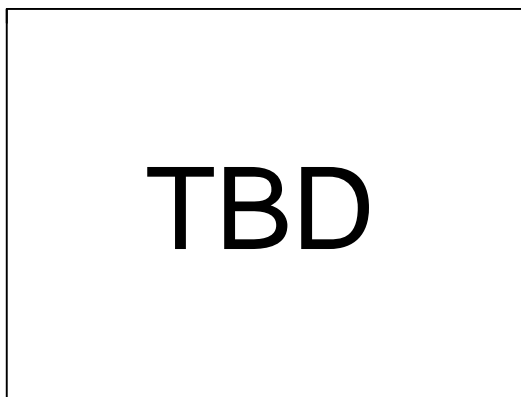
- 1.Immediately after reliability test,the samples shall be stored under climatic conditions such as normally exist in ordinary rooms or laboratories.Unless otherwise noted,the recovery period shall be 4hrs at least before performance testing.
2. After reliability test ,all samples must be meet the requirements specified
- 3.Sensitivity difference at 2~5KHz shall be within $\pm 3\text{dB}$ from initial value after test.

				Date:	2013/12/18	B-Bass Sounder-SS-26.2LW
				Drawn by:	王凯	
A	2013/12/18	王凯		Checked by:	王凯	Speaker
Rev.	Date	Drawn	Note	Approved by:	汪珍珍	
BESTAR ACOUSTICS CO.,LTD						DRG NO: BS/TES01.****A
www.bestargroups.com wu@be-star.com						Page:10 of 12

This print and information there in are proprietary to BeStar Acoustics Co., Ltd. and shall not be used in whole or in part without its written content

B-Bass Sounder-SS-26.2LW

7. Packing



Remark:
 40 pcs per carton
 20 carton per box
 Total 800pcs per box
 Size: 35×27×30(cm)

				Date:	2013/12/18	B-Bass Sounder-SS-26.2LW
				Drawn by:	王凯	
A	2013/12/18	王凯		Checked by:	王凯	Speaker
Rev.	Date	Drawn	Note	Approved by:	汪珍珍	
BESTAR ACOUSTICS CO.,LTD						DRG NO: BS/TES01.****A
www.bestargroups.com wu@be-star.com						Page:11 of 12

This print and information there in are proprietary to Bestar Acoustics Co., Ltd. and shall not be used in whole or in part without its written content.

B-Bass Sounder-SS-26.2LW

8. History Change Record

version No.	Change Items		Date	Drawn	Approved
	Before	After			
A			2013/12/18	王凯	汪珍珍

This print and information there in are proprietary to Bestar Acoustics Co., Ltd. and shall not be used in whole or in part without its written content.

				Date:	2013/12/18	B-Bass Sounder-SS-26.2LW Speaker
				Drawn by:	王凯	
A	2013/12/18	王凯		Checked by:	王凯	
Rev.	Date	Drawn	Note	Approved by:	汪珍珍	
BESTAR ACOUSTICS CO.,LTD						
www.bestargroups.com wu@be-star.com						
						DRG NO: BS/TES01.****A
						Page:12 of 12