



# SPECIFICATION FOR PIEZO BUZZER

TOTAL PAGE

06

[www.bestargroups.com](http://www.bestargroups.com)

RoHS

Customer		Model Name	BPI2612P-01A
Customer P/N		Product No.	XXXXXX
Date	18 May. 09	Issue No.	BS/TEP01.XXXA
Page	01 of 06	Issue Date	10/08/04

Approval:

- 1.Characteristic
- 2.Test Method
- 3.Drawing
- 4.Reliability Test
- 5.Packing
- 6.History Change Record

Drawn by	Checked by	Approved by	Customer approved

## **BESTAR HOLDING CO.,LTD**

No.199 HuangHe West Road,New district,ChangZhou,JiangSu Province,P.R.China

**Tel:** +86 519 88222567 **Fax:** +86 519 88222551**E-mail:**[wu@be-star.com](mailto:wu@be-star.com) **<http://www.bestargroups.com>**

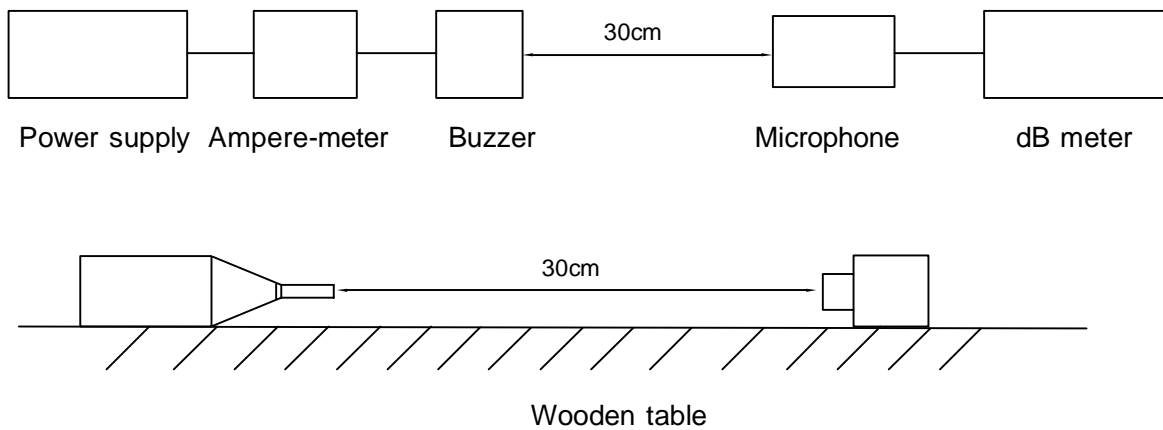
# BPI2612P-01A



## 1. Characteristic

No.	Item	Specifications
1.	Rated Voltage	DC 12V
2.	Operating Voltage	DC 9~16V
3.	Current Consumption	MAX.15mA
4.	When SPL is adjusted in position "MAX" min SPL at 30cm is	92dB
5.	Frequency	3300±500Hz
6.	DC Resistance at +and-	2.2±5%k Ω
7.	Tone Characteristic	Continuous
8.	Operating Temperature	-30~+85 °C
9.	Housing Color	Black
10.	Weight	10g

## 2. Test method

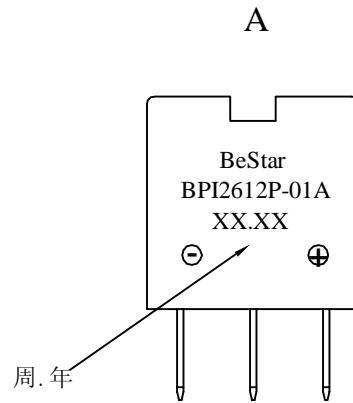
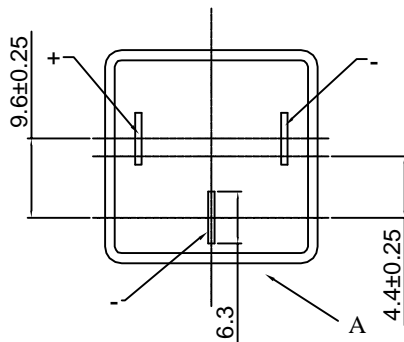
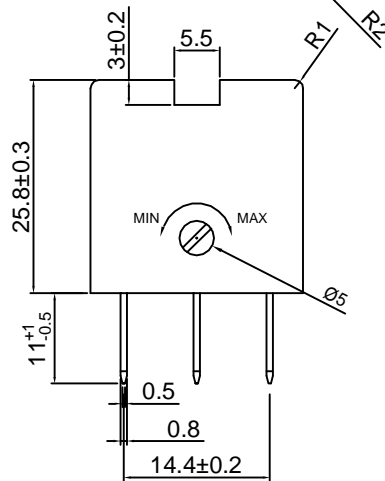
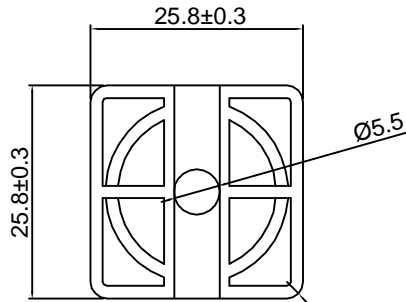


This print and information there in are proprietary to BeStar Holding Co., Ltd. and shall not be used in whole or in part without its written content

				Date:	10/08/04	BPI2612P-01A	
				Drawn by:	廖明才		
A	10/08/04	廖明才		Checked by:	陈小东	Piezo Buzzer	
Rev.	Date	Drawn	Note	Approved by:	程久生		
BESTAR HOLDING CO.,LTD						DRG NO:BS/TEP01.XXXA	Page:02 of 06
www.bestargroups.com wu@be-star.com							

# BPI2612P-01A

## 3.Drawing



This print and information there in are propriety to BeStar Holding Co., Ltd. and shall not be used in whole or in part without its written content

				Date:	10/08/04	BPI2612P-01A	
				Drawn by:	廖明才		
A	10/08/04	廖明才		Checked by:	陈小东	Piezo Buzzer	
Rev.	Date	Drawn	Note	Approved by:	程久生		
BESTAR HOLDING CO.,LTD						DRG NO:BS/TEP01.XXXA	Page:03 of 06
www.bestargroups.com wu@be-star.com							

# BPI2612P-01A

## 4.Environmental Test

### 4.1 High temperature test

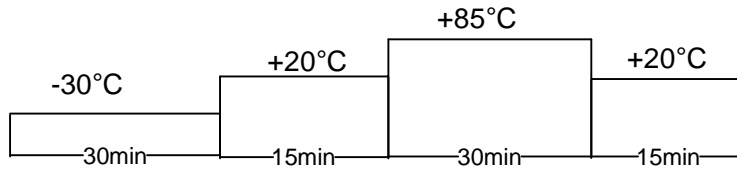
Temperature +85 °C  
 Duration 96hrs

### 4.2 Low temperature test

Temperature -30 °C  
 Duration 96hrs

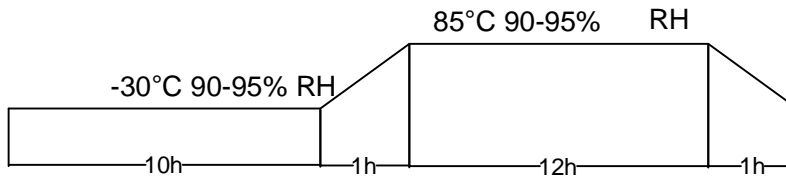
### 4.3 Temperature cycle test

Cycles 5



### 4.4 Humidity cycle test

Cycles 5



All these tests above should be measured after leaving normal temperature for 3hrs.

### 4.5 Drop test

Height 70cm  
 Direction 3

Notice: All specifications must be satisfied in this condition.

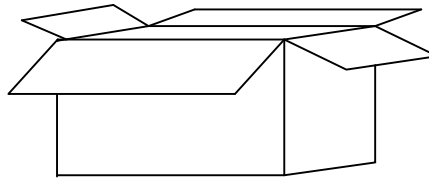
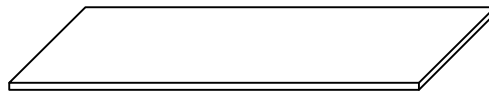
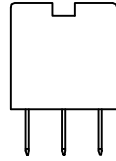
This print and information there in are propriety to BeStar Holding Co., Ltd. and shall not be used in whole or in part without its written content

				Date:	10/08/04	<b>BPI2612P-01A</b>	
				Drawn by:	廖明才		
A	10/08/04	廖明才		Checked by:	陈小东	<b>Piezo Buzzer</b>	
Rev.	Date	Drawn	Note	Approved by:	程久生		
BESTAR HOLDING CO.,LTD						DRG NO:BS/TEP01.XXXA	Page:04 of 06
<a href="http://www.bestargroups.com">www.bestargroups.com</a> <a href="mailto:wu@be-star.com">wu@be-star.com</a>							

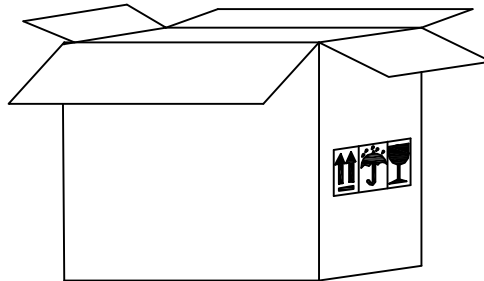
# BPI2612P-01A

## 5. Packing

Packing Quantity: 225pcs per middle carton  
 4middle cartons per carton  
 Total 900pcs per carton  
 Carton Size: 43×26.5×32.5cm



Middle Carton



Carton

This print and information there in are propriety to BeStar Holding Co., Ltd. and shall not be used in whole or in part without its written content

				Date:	10/08/04	BPI2612P-01A	
				Drawn by:	廖明才		
A	10/08/04	廖明才		Checked by:	陈小东	Piezo Buzzer	
Rev.	Date	Drawn	Note	Approved by:	程久生		
BESTAR HOLDING CO.,LTD						DRG NO:BS/TEP01.XXXA	Page:05 of 06
www.bestargroups.com wu@be-star.com							

BPI2612P-01A

6. History Change Record

version No.	Change Items		Date	Drawn	Approved
	Before	After			
A			10/08/04	廖明才	程久生

This print and information there in are propriety to BeStar Holding Co., Ltd. and shall not be used in whole or in part without its written content

				Date:	10/08/04	BPI2612P-01A	
				Drawn by:	廖明才		
A	10/08/04	廖明才		Checked by:	陈小东	Piezo Buzzer	
Rev.	Date	Drawn	Note	Approved by:	程久生		
BESTAR HOLDING CO.,LTD						DRG NO:BS/TEP01.XXXA	Page:06 of 06
<a href="http://www.bestargroups.com">www.bestargroups.com</a> <a href="mailto:wu@be-star.com">wu@be-star.com</a>							