



# SPECIFICATION

## FOR ELECTRO-MAGNET TRANSDUCER

TOTAL PAGE 07

[www.be-star.com](http://www.be-star.com)

RoHS

Customer		Model Name	BMT1205H09 LF
Customer P/N		Product No.	010400
Date	4 Jun. 2019	Issue No.	BS/TET01.114B1
Page	01 of 07	Issue Date	2019/06/04

### Approval:

- 1.Applications
- 2.Characteristics
- 3.Dimensions
- 4.Part List
- 5.Reliability Test
- 6.Packing
- 7.Notice
- 8.History change record

Drawn by	Checked by	Approved by	Customer approved
包丽萍	李梅芳	徐 波	

BESTAR Holdings Co., Ltd.  
No.199, West Huanghe Road, Changzhou, Jiangsu, P.R. China  
Tel: +86 5196 789 6200  
Fax: +86 5196 789 6220  
E-Mail: [Info@be-star.com](mailto:Info@be-star.com)  
Web: [www.be-star.com](http://www.be-star.com)

# BMT1205H09 LF

## 1.Applications

Clock,telephone, modem, motherboard, automotive, pager etc.



## 2.Characteristics:

### 2.1 Electrical and Mechanical Characteristics

No.	Item	Specification
1.	Rated Voltage	5Vo-p
2.	Operating Voltage	4...8Vo-p
3.	a) Rated Current	Max. 50mA
4.	Coil Resistance	45 ± 5ohm
5.	b) Coil Impedance	80ohm
6.	a) Sound Output at10cm	min 85 dB at 10cm
7.	Resonance Frequency	2400 ± 200Hz
8.	Housing Material	NORYL
9.	Color	black
9.	Working Temperature	-40...+85 ° C
10.	Storage Temperature	-40...+85 ° C
a) Value applying at rated voltage (2400Hz,1/2duty square wave)		
b) Value applying at rated voltage (2400Hz,sine wave measuring current 60 μA)		

### 2.2 Test method:

**2.2.1.Recommended Circuit**

the following are examples of externally driven circuits.

**2.2.2.Standard test Fixture**

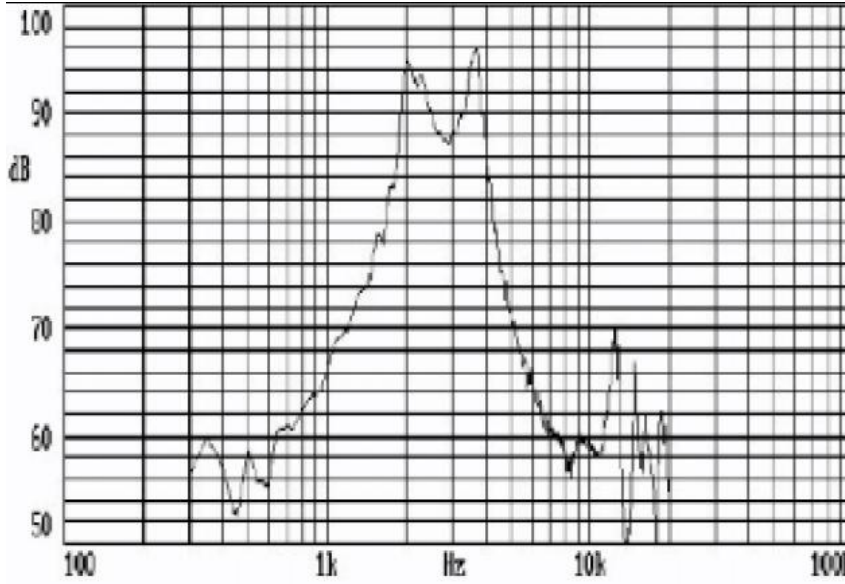
No reaction in space with in 400mm in all direction

B1	2019.06.04	包丽萍		Date:	2019.06.04	BMT1205H09 LF	
B	2007.09.24	张尚君		Drawn by:	包丽萍		
A	2001.03.10	王善梅		Checked by:	李梅芳	Transducer	
Rev.	Date	Drawn	Note	Approved by:	徐波		
BESTAR Holdings Co., Ltd						DRG NO: BS/TET01.114B1	Page:02 of 07
<a href="http://www.be-star.com">http://www.be-star.com</a> <a href="mailto:info@be-star.com">info@be-star.com</a>							

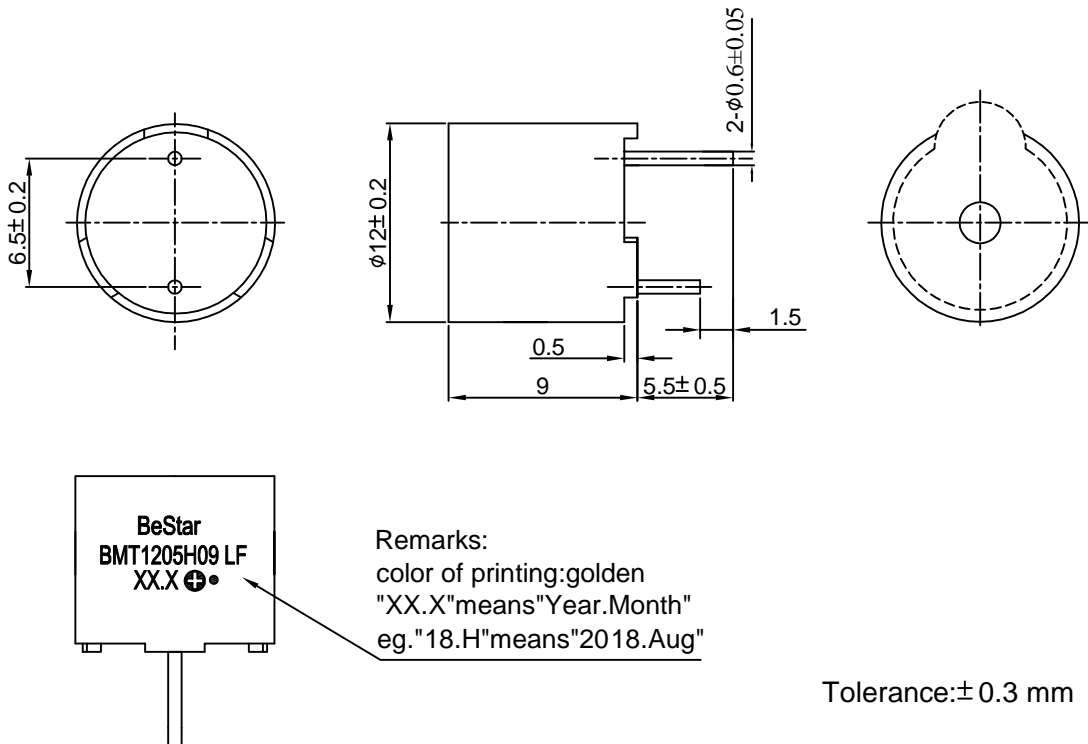
This print and information there in are proprietary to BeStar Holdings Co., Ltd. and shall not be used in whole or in part without its written content.

# BMT1205H09 LF

## 2.3. Frequency Response



## 3. Dimensions



Remarks:  
color of printing:golden  
"XX.X"means"Year.Month"  
eg."18.H"means"2018.Aug"

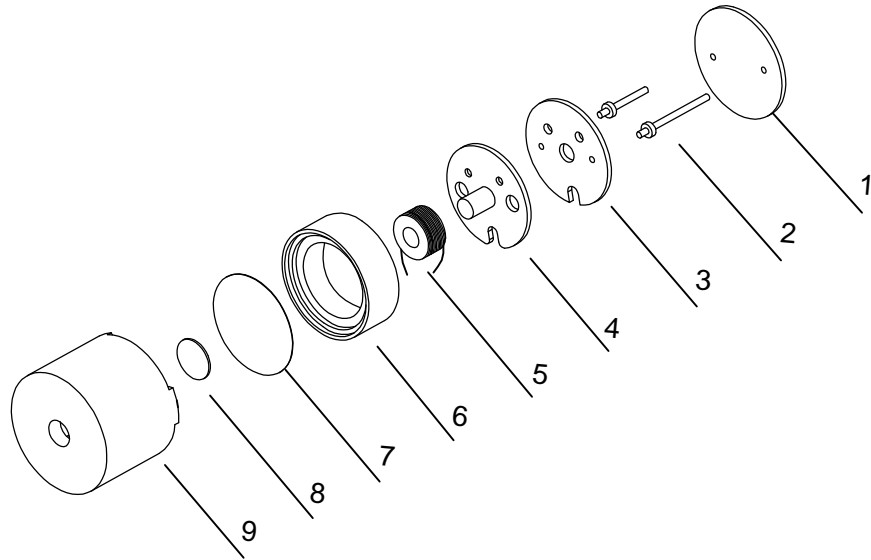
Tolerance:± 0.3 mm

B1	2019.06.04	包丽萍		Date:	2019.06.04	BMT1205H09 LF
A	2007.09.24	张尚君		Drawn by:	包丽萍	
A	2001.03.10	王善梅		Checked by:	李梅芳	Transducer
Rev.	Date	Drawn	Note	Approved by:	徐波	
BESTAR Holdings Co., Ltd						DRG NO: BS/TET01.114B1
<a href="http://www.be-star.com">http://www.be-star.com</a> <a href="mailto:info@be-star.com">info@be-star.com</a>						Page:03 of 07

This print and information there in are proprietary to BeStar Holdings Co., Ltd. and shall not be used in whole or in part without its written content.

# BMT1205H09 LF

## 4.Part List



No	Part Name	Material
1.	Epoxy(black)	One-component
2.	Pin	Brass H62
3.	PCB	Epoxy+Cu
4.	T-Yoke	DT4E+SPCC
5.	Voice coil	Cu
6.	Magnet ring	Magnetic plastic
7.	Membrane	1J50
8.	Weight piece	SPCC
9.	Housing(black)	NORYL

This print and information there in are proprietary to BeStar Holdings Co., Ltd. and shall not be used in whole or in part without its written content.

B1	2019.06.04	包丽萍		Date:	2019.06.04	BMT1205H09 LF	
A	2007.09.24	张尚君		Drawn by:	包丽萍		
A	2001.03.10	王善梅		Checked by:	李梅芳	Transducer	
Rev.	Date	Drawn	Note	Approved by:	徐波		
BESTAR Holdings Co., Ltd						DRG NO: BS/TET01.114B1	Page:04 of 07
<a href="http://www.be-star.com">http://www.be-star.com</a> <a href="mailto:info@be-star.com">info@be-star.com</a>							

## BMT1205H09 LF

### 5. Reliability test

#### 5.1 High temperature test

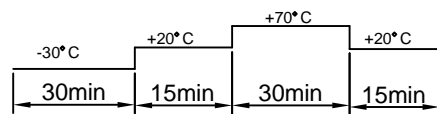
Temperature **+85 ° C**  
Duration **96hrs**

#### 5.2 Low temperature test

Temperature **-40 ° C**  
Duration **96hrs**

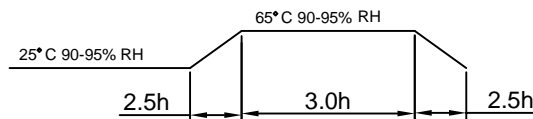
#### 5.3 Temperature cycle test

Cycles **5**



#### 5.4 Humidity cycle test

Cycles **10**



all these tests above should be measured after leaving normal temperature for 2hrs.

#### 5.5 Load test

Power supply **rated voltage**  
Duration **1000hrs**

#### 5.6 Vibration Test

Vibration Frequency **10~55Hz**  
Amplitude **1.5mm**  
Duration x,y&z directions **30min**

#### 5.7 Drop test

Height **70cm**  
(to 10mm thickness woodenboard)  
Direction **3**

#### 5.8 Solderability test

Solderability temperature **255°C**  
Heat applying time **3sec**

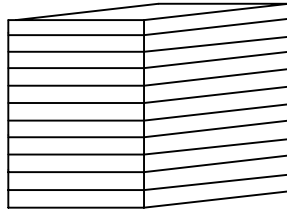
Notice: After the test the part shall meet specifications without any degraance and performance except S.P.L, S.P.L shall be 77dB more .

This print and information there in are proprietary to BeStar Holdings Co., Ltd. and shall not be used in whole or in part without its written content

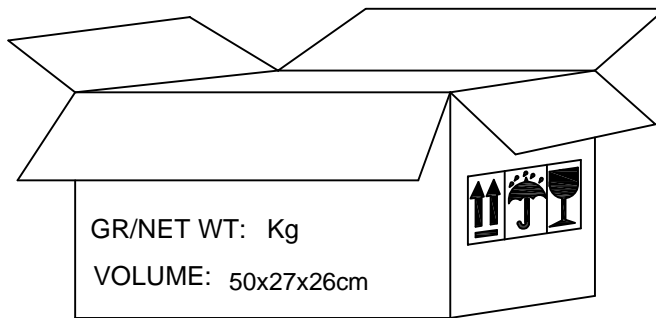
B1	2019.06.04	包丽萍		Date:	2019.06.04	BMT1205H09 LF
B	2007.09.24	张尚君		Drawn by:	包丽萍	
A	2001.03.10	王善梅		Checked by:	李梅芳	Transducer
Rev.	Date	Drawn	Note	Approved by:	徐波	
BESTAR Holdings Co., Ltd						DRG NO: BS/TET01.114B1
						Page:05 of 07
<a href="http://www.be-star.com">http://www.be-star.com</a> <a href="mailto:info@be-star.com">info@be-star.com</a>						

# BMT1205H09 LF

## 6. Packing



- 1) 100pcs/tray
- 2) 30tray/carton
- 3) 3000 pcs/carton in total
- 4) carton size 50x27x26cm



## 7. Notice

### 7.1 The products mustn't be washed

### 7.2 Storage Condition

The products should be stored in the room, where the temperature/humidity is stable. And avoid such places where there are large temperature changes. Please store the products at the following conditions:

Temperature: -10 to + 40 °C Humidity: 15 to 85% R.H.

### 7.3 Expire Date on Storage

Expire date (Shelf life) of the products is six months after delivered under the conditions of a sealed and an unopened package. Please use the products within six months after delivered.

If you store the products for a long time (more than six months), use carefully because the products may be degraded in the solderability and/or rusty. Please confirm solderability and characteristics for the products regularly.

### 7.4 Notice on Product Storage

(1) Please do not store the products in a chemical atmosphere (Acids, Alkali, Bases, Organic gas, Sulfides and so on), because the characteristics may be reduced at quality, and/or be degraded in the solderability due to the storage in a chemical atmosphere.

(2) Please use the products immediately after the package is opened, because the characteristics may be reduced at quality, and/or be degraded in the solderability due to storage under the poor condition.

B1	2019.06.04	包丽萍		Date:	2019.06.04	BMT1205H09 LF	
A	2007.09.24	张尚君		Drawn by:	包丽萍		
A	2001.03.10	王善梅		Checked by:	李梅芳	Transducer	
Rev.	Date	Drawn	Note	Approved by:	徐波		
BESTAR Holdings Co., Ltd						DRG NO: BS/TET01.114B1	Page:06 of 07
<a href="http://www.be-star.com">http://www.be-star.com</a> <a href="mailto:info@be-star.com">info@be-star.com</a>							

This print and information there in are proprietary to BeStar Holdings Co., Ltd. and shall not be used in whole or in part without its written content.

