



# SPECIFICATION FOR PIEZO ELECTRIC BUZZER

TOTAL PAGE 05

[www.be-star.com](http://www.be-star.com)

RoHS

Customer		Model Name	BPT-380X-S115
Customer P/N		Product No.	041026
Date	12 Mar. 09	Issue No.	BS/TEP01.660A
Page	01 of 05	Issue Date	09/03/12

## Approval:

- 1.Description
- 2.Test Method
- 3.Drawing
- 4.Reliability test
- 5.Packing
- 6.History Change Record

Drawn by	Checked by	Approved by	Customer approved
廖明才	陈小东	程久生	

## **BESTAR ELECTRONICS INDUSTRY CO.,LTD**

No.199 HuangHe West Road.New district,ChangZhou,JiangSu Province,P.R.China

**Tel:** +86 519 88222567      **Fax:** +86 519 88222551

**E-mail:** [wu@be-star.com](mailto:wu@be-star.com)      **<http://www.be-star.com>**

# BPT-380X-S115

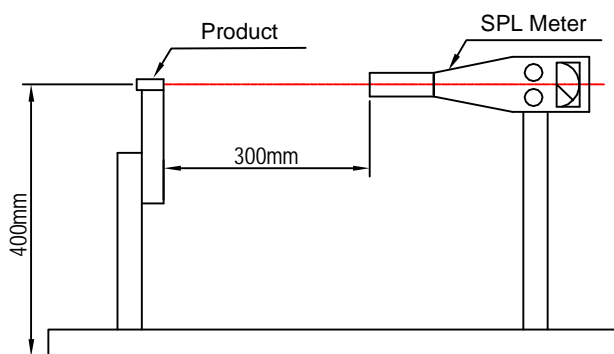
## 1. Description

### ★Electrical and Mechanical Characteristics



No.	Item	Specifications
1.	a)Rated Voltage	115VDC
2.	Operating Voltage	60-120VDC
3.	Operating Current (max)	25 mA
4.	a)Sound Output at 30cm	90dB
5.	a)Resonant Frequency	2900 ± 500 Hz
6.	Tone	Continuous+Fast Pulse
7.	Operating Temperature	-20...+60 °C
8.	Storage Temperature	-30...+70 °C
a)Value applying at rated voltage		

## 2. Test method

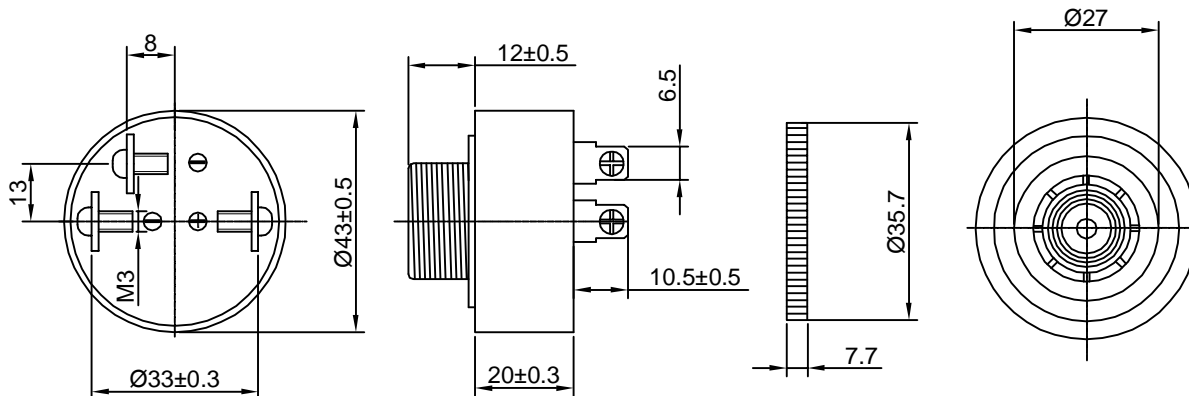


This print and information there in are proprietary to Bestar Electronics Industry Co., Ltd. and shall not be used in whole or in part without its written consent.

				Date:	09/03/12	BPT-380X-S115	
				Drawn by:	廖明才		
A	09/03/12	廖明才		Checked by:	陈小东	Buzzer	
Rev.	Date	Drawn	Note	Approved by:	程久生		
BESTAR ELECTRONICS INDUSTRY CO.,LTD						DRG NO:BS/TEP01.661A	Page:02 of 05
www.be-star.com wu@be-star.com							

# BPT-380X-S115

## 3. Drawing



## 4. Reliability test

### 4.1 High temperature test

Temperature

+70 °C

Duration

96hrs

### 4.2 Low temperature test

Temperature

-30 °C

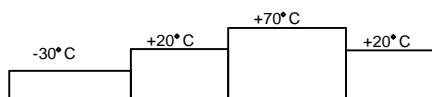
Duration

96hrs

### 4.3 Temperature cycle test

Cycles

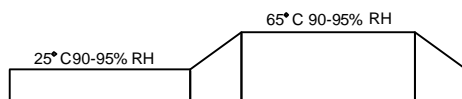
5



### 4.4 Humidity cycle test

Cycles

5



all these tests above should be measured after leaving normal temperature for 2hrs.

### 4.5 Drop test

Height

70cm

(to 10mm thickness woodenboard)

Direction

3

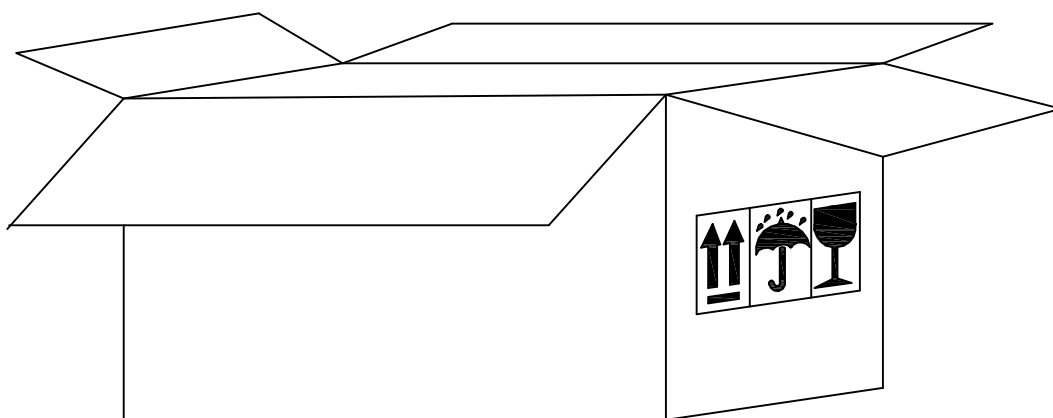
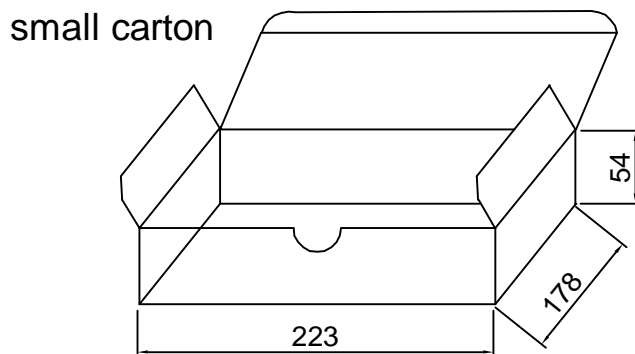
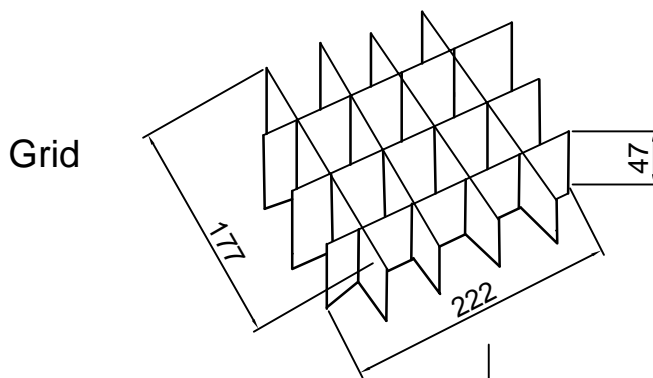
Notice: All specification must be satisfied in this condition.

				Date:	09/03/12	BPT-380X-S115	
				Drawn by:	廖明才		
A	09/03/12	廖明才		Checked by:	陈小东	Buzzer	
Rev.	Date	Drawn	Note	Approved by:	程久生		
BESTAR ELECTRONICS INDUSTRY CO.,LTD						DRG NO:BS/TEP01.661A	Page:03 of 05

**BPT-380X-S115**

**5.Packing**

Packing Quantity :20pcs per box  
320pcs per carton  
carton size 71x25x29cm,



This print and information there in are proprietary to Bestar Electronics Industry Co., Ltd. and shall not be used in whole or in part without its written content

				Date:	09/03/12	BPT-380X-S115	
				Drawn by:	廖明才		
A	09/03/12	廖明才		Checked by:	陈小东	Buzzer	
Rev.	Date	Drawn	Note	Approved by:	程久生		
BESTAR ELECTRONICS INDUSTRY CO.,LTD						DRG NO:BS/TEP01.661A	Page:04 of 05
www.be-star.com wu@be-star.com							

# BPT-380X-S115

## 6. History Change Record

version No.	Change Items		Date	Drawn	Approved
	Before	After			
A	Original edition		09/03/12	廖明才	程久生

This print and information there in are proprietary to Bestar Electronics Industry Co., Ltd. and shall not be used in whole or in part without its written consent.

				Date:	09/03/12	BPT-380X-S115
				Drawn by:	廖明才	
A	09/03/12	廖明才		Checked by:	陈小东	Buzzer
Rev.	Date	Drawn	Note	Approved by:	程久生	
BESTAR ELECTRONICS INDUSTRY CO.,LTD						
				www.be-star.com wu@be-star.com		
DRG NO:BS/TEP01.661A						Page:05 of 05