



SPECIFICATION FOR AUTOMOTIVE SPEAKER

TOTAL PAGE	09	www.be-star.com	RoHS
------------	----	--	------

Customer		Model Name	BMS3650L-P2-HT LF
Customer P/N		Product No.	132401
Date	14 May 08	Issue No.	BS/TES01.006B
Page	Page: 01 of 09	Issue Date	08.05.14

Approval:

- 1.Characteristics
- 2.Speaker curve
- 3.Dimension
- 4.Bill of Material
- 5.Reliability Test
- 6.Packing
- 7.History change record

Drawn by	Checked by	Approved by	Customer approved
莫丽丽	王文邦	陶红仲	

BESTAR ELECTRONICS INDUSTRY CO.,LTD

No.199 HuangHe West Road.New district,ChangZhou,JiangSu Province,P.R.China

Tel: +86 519 88222567 **Fax:** +86 519 88222551

E-mail:wu@be-star.com **<http://www.be-star.com>**

BMS3650L-P2-HT LF

1. Characteristic

1.1 Electrical and Mechanical Characteristics



1	Rated input	1W
2	Maximum input	1.5W
3	Resonance Frequency	540 ± 150Hz
4	Frequency Response	350...6000Hz
5	Impedance(at 1500Hz)	50ohm ± 15%
6	Output SPL	min80dB (Square wave 50%duty,1 0Vp-p, 1KHz,0.5m)
7	Buzzes & Rattles	must be normal at sine wave 7.07V
8	Magnet	Nd-Fe-B
9	Diaphragm	PEI Film
10	Operation temperature	-40 °C...+85°C
11	Storage temperature	-40 °C...+85°C

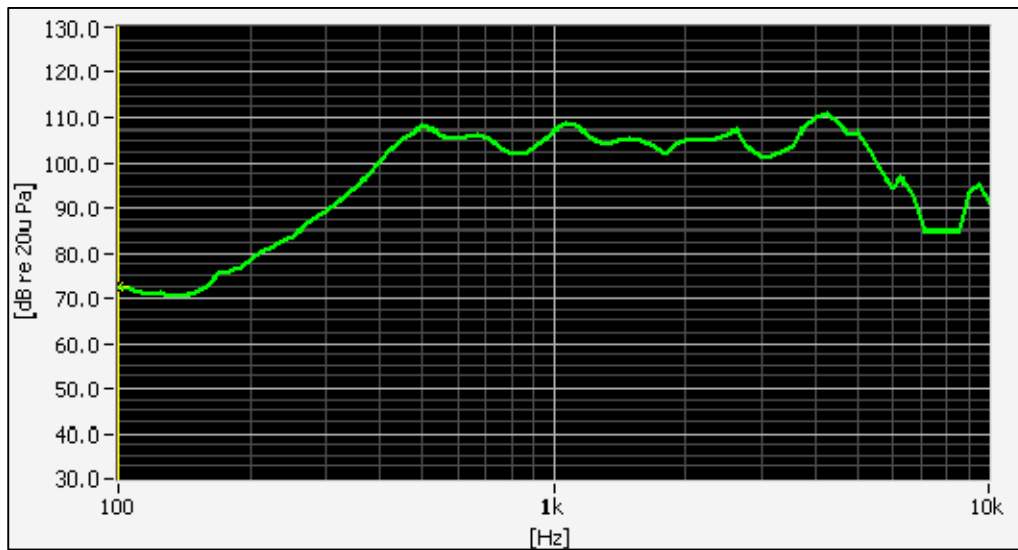
This print and information there in are proprietary to Bestar Electronics Industry Co., Ltd. and shall not be used in whole or in part without its written content

				Date:	08.05.14	BMS3650L-P2-HT LF	
B	08.05.14	莫丽丽		Drawn by:	莫丽丽		
A	02/04/27	王善梅		Checked by:	王文邦	Speaker	
Rev.	Date	Drawn	Note	Approved by:	陶红仲		
BESTAR ELECTRONICS INDUSTRY CO.,LTD www.be-star.com wu@be-star.com						DRG NO: BS/TES01.006B	Page:02 of 09

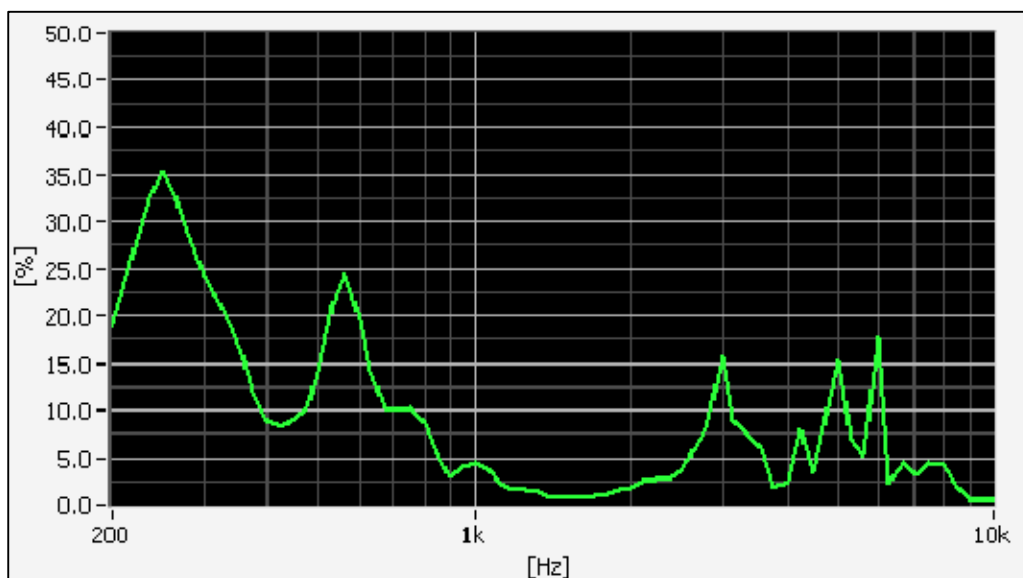
BMS3650L-P2-HT LF

2. Speaker curve: using sine wave 0.5w, 0.1m test

2.1 Fundamental (only for reference)



2.2 THD (only for reference)

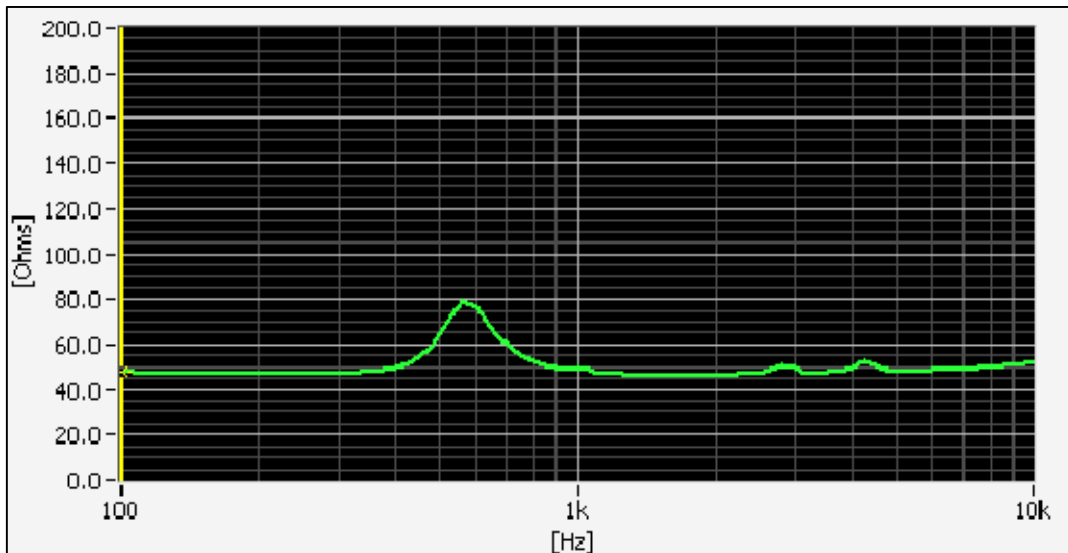


This print and information there in are proprietary to Bestar Electronics Industry Co., Ltd. and shall not be used in whole or in part without its written content

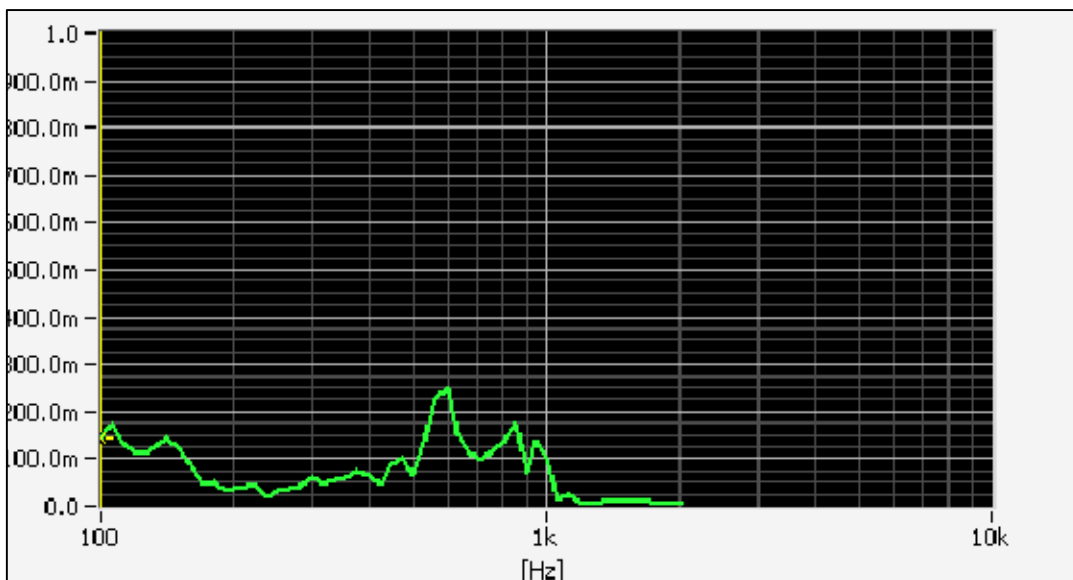
				Date:	08.05.14	BMS3650L-P2-HT LF	
B	08.05.14	莫丽丽		Drawn by:	莫丽丽		
A	02/04/27	王善梅		Checked by:	王文邦	Speaker	
REV.	Date	Drawn	Note	Approved by:	陶红仲		
BESTAR ELECTRONICS INDUSTRY CO.,LTD						DRG NO: BS/TES01.006B	Page:03 of 09
www.be-star.com wu@be-star.com							

BMS3650L-P2-HT LF

2.3 Impedance(only for reference)



2.4 Rub&buzz(only for reference)

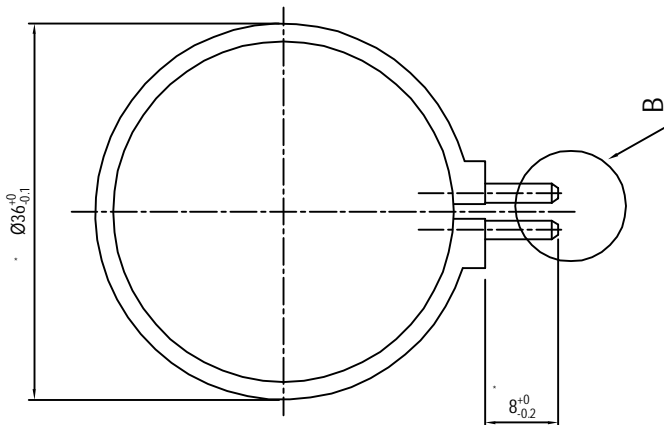
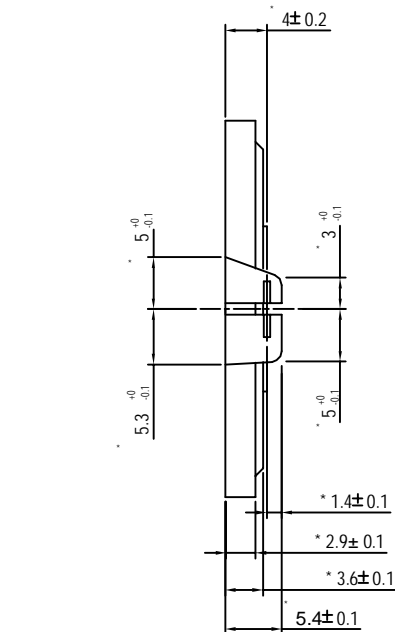
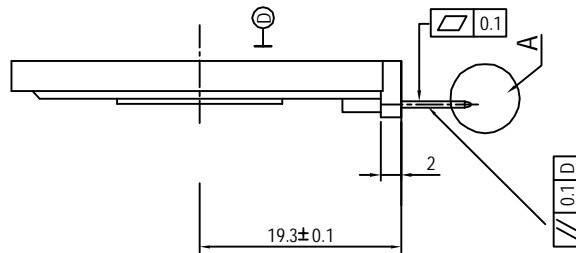
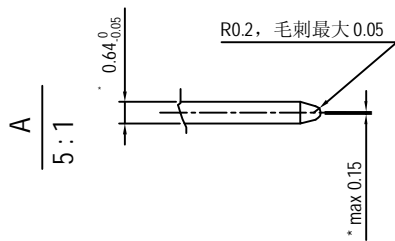
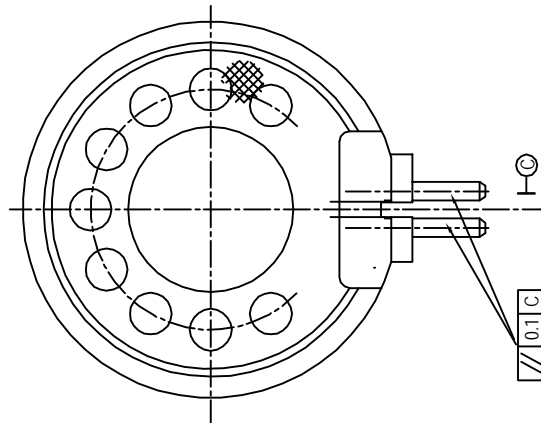
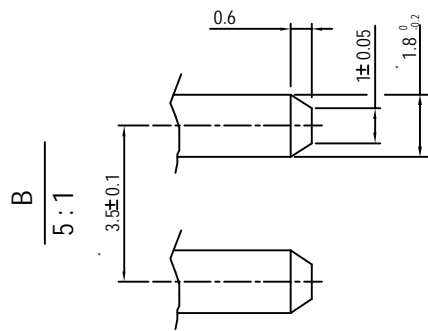


This print and information there in are proprietary to Bestar Electronics Industry Co., Ltd. and shall not be used in whole or in part without its written content.

				Date:	08.05.14	BMS3650L-P2-HT LF	
B	08.05.14	莫丽丽		Drawn by:	莫丽丽		
A	02/04/27	王善梅		Checked by:	王文邦	Speaker	
REV.	Date	Drawn	Note	Approved by:	陶红仲		
BESTAR ELECTRONICS INDUSTRY CO.,LTD						DRG NO: BS/TES01.006B	Page:04 of 09
www.be-star.com wu@be-star.com							

BMS3650L-P2-HT LF

3.Dimension

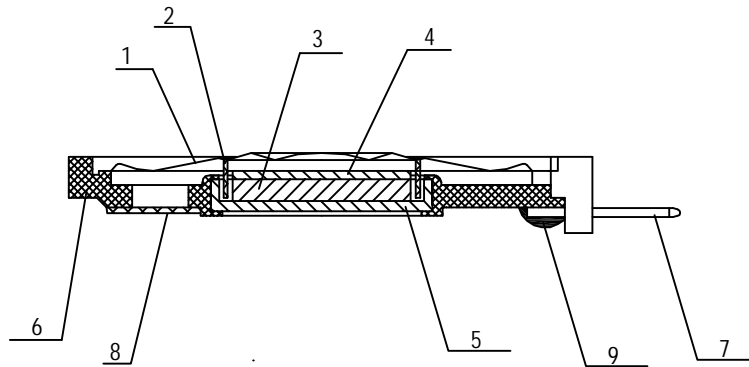


This print and information there in are proprietary to Bestar Electronics Industry Co., Ltd. and shall not be used in whole or in part without its written content

			Date:	08.05.14	BMS3650L-P2-HT LF	
B	08.05.14	莫丽丽	Drawn by:	莫丽丽		
A	02/04/27	王善梅	Checked by:	王文邦	Speaker	
Rev.	Date	Drawn	Note	Approved by:		陶红仲
BESTAR ELECTRONICS INDUSTRY CO.,LTD					DRG NO: BS/TES01.006B	Page:05 of 09
					www.be-star.com wu@be-star.com	

BMS3650L-P2-HT LF

4. Bill of Material



No	Parts Name	Material
9	Potting glue	SILICONE LIQUID RUBBER
8	Mesh	Silk
7	Pin	Cu
6	Frame	PBT
5	Magnet bowl	SPCC
4	Magnet plate	SPCC
3	Magnet	Magnet N 38H
2	Voice Coil	φ0.05 wire, Annealed Copper Alloy
1	Membrance	PEI-ULT005V

This print and information there in are proprietary to Bestar Electronics Industry Co., Ltd. and shall not be used in whole or in part without its written content

			Date:	08.05.14	BMS3650L-P2-HT LF	
B	08.05.14	莫丽丽	Drawn by:	莫丽丽		
A	02/04/27	王善梅	Checked by:	王文邦	Speaker	
Rev.	Date	Drawn	Note	Approved by:		陶红仲
BESTAR ELECTRONICS INDUSTRY CO.,LTD					DRG NO: BS/TES01.006B	Page:06 of 09

BMS3650L-P2-HT LF

5. Reliability test

5.1 Load test 1W, sine wave 540Hz, 96hrs

5.2 Heat Test
 Temperature +85 ° C ± 2
 Duration 96hrs

5.3 Cold Test
 Temperature -40 ° C ± 2
 Duration 96hrs

5.4 Moisture Test
 Temperature +85 ° C ± 2
 Humidity 85%RH
 Duration 56days
 Recovery conditions: Climatic condition standard atmospheric
 Ventilation time 1 h

5.5 Temperature shock
 Low temperature -40 ° C
 Upper temperature +85 ° C
 Dwell time each temperature 30min.
 Transfer time from lower to upper temperature < 10s
 Number of cycles 100

5.6 Vibration Test
 Range of frequency 1 10 to 55Hz
 Amplitude +/-0.75mm
 Range of frequency 2 55 to 2000Hz
 Amplitude 10g
 Frequency sweep 1 oct/min
 Duration 2h each of 3 axis

5.7 Drop test
 Drop the speaker contained in normal box on to the board 20mm thick 10 times from the height of 1.2m

After each test of 5.2 to 5.3, speakers should be measured after 6hrs exposed in normal temperature.

After each test, performance should be satisfied with spec.

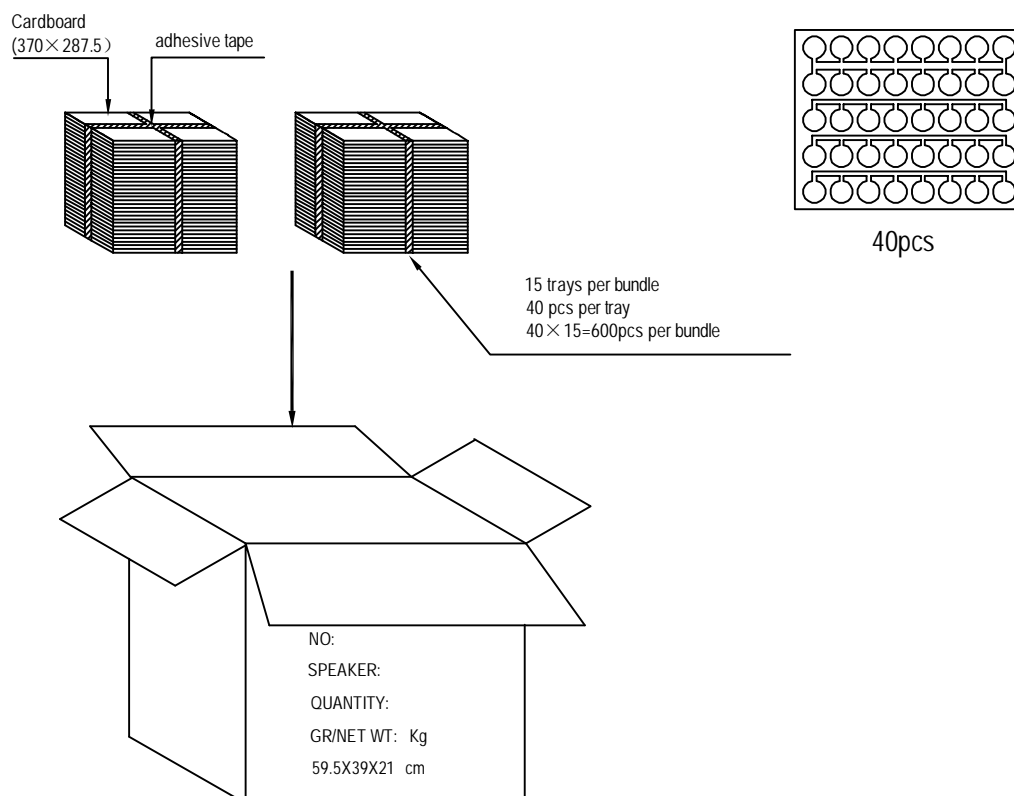
This print and information there in are proprietary to Bestar Electronics Industry Co., Ltd. and shall not be used in whole or in part without its written consent

				Date:	08.05.14	BMS3650L-P2-HT LF	
B	08.05.14	莫丽丽		Drawn by:	莫丽丽		
A	02/04/27	王善梅		Checked by:	王文邦	Speaker	
Rev.	Date	Drawn	Note	Approved by:	陶红仲		
BESTAR ELECTRONICS INDUSTRY CO.,LTD www.be-star.com wu@be-star.com						DRG NO: BS/TES01.006B	Page:07 of 09

BMS3650L-P2-HT LF

6. Packing

6.1 Packing Drawing



Remark:
40 pcs per tray
15 pcs trays per bundle
2 bundles per carton
120 pcs per carton
Size: 59.5X39X21(cm)

This print and information there in are proprietary to Bestar Electronics Industry Co., Ltd. and shall not be used in whole or in part without its written content

				Date:	08.05.14	BMS3650L-P2-HT LF
B	08.05.14	莫丽丽		Drawn by:	莫丽丽	
A	02/04/27	王善梅		Checked by:	王文邦	Speaker
Rev.	Date	Drawn	Note	Approved by:	陶红仲	
BESTAR ELECTRONICS INDUSTRY CO.,LTD						DRG NO: BS/TES01.006B
						Page:08 of 09

