



SPECIFICATION
FOR ELECTRO-MAGNET TRANSDUCER

TOTAL PAGE 08 www.be-star.com RoHS

Customer		Model Name	BMT1212XH9.5F LF
Customer P/N		Product No.	020500
Date	26 Aug. 09	Issue No.	BS/TET01.169B
Page	01 of 08	Issue Date	09/08/26

Approval:

- 1.Characteristics
- 2.Dimension
- 3.Reliability Test
- 4.Packing
5. Notice
6. History change record

Drawn by	Checked by	Approved by	Customer approved
魏奉玲	徐波	陶红仲	

BESTAR ELECTRONICS INDUSTRY CO.,LTD

No.199 HuangHe West Road.New district,ChangZhou,JiangSu Province,P.R.China

Tel: +86 519 88222567 **Fax:** +86 519 88222551

E-mail:wu@be-star.com **http://**www.be-star.com

BMT1212XH9.5F LF



1. Characteristics

1.1 Technical terms

★Electrical and Mechanical Characteristics

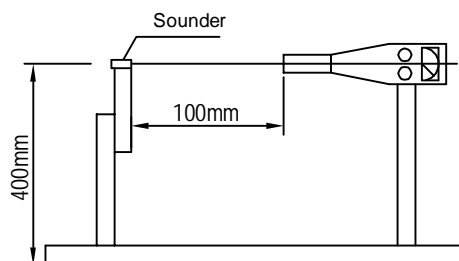
Item	Unit	Specification
Rated Voltage	V _{DC}	12
Operation Voltage	V _{DC}	8...16
a) Rated Current	mA	max.30
a) Sound Output at 10cm	dB	min.85
a) Resonant Frequency	Hz	2300± 300
b) Response Time	ms	max.50
Operating Temperature	°C	-20...+60
Storage Temperature	°C	-30...+70
Weight	g	2
a) Value Applying Rated Voltage (DC)		
b) Value Applying Min.Operational Voltage (DC)		

1.2 Test method:

1.2 Standard text Fixture

1.2.2. Standard text Fixture

No reaction in space with in 400mm in all direction



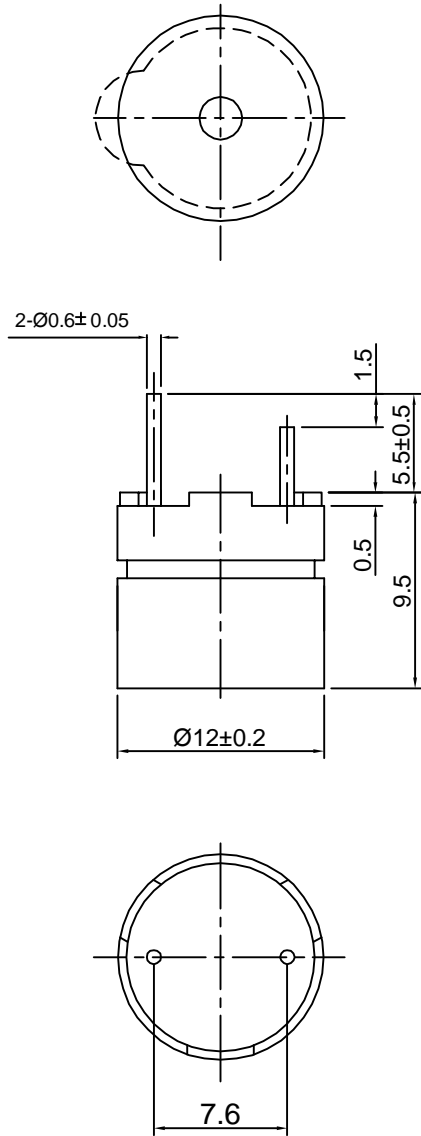
Standard Conditions

Temperature: 17~25°C
Relative Humidity: 45~85 %(RH)
Air Pressure: 860~1060hPa

				Date:	09/08/26	BMT1212XH9.5F LF
B	09/08/26	魏奉玲	RohS	Drawn by:	魏奉玲	
A	02/12/10	王善梅		Checked by:	徐波	Transducer
REV.	Date	Drawn	Note	Approved by:	陶红仲	
BESTAR ELECTRONICS INDUSTRY CO.,LTD						DRG NO: BS/TET01.169B
www.be-star.com wu@be-star.com						Page:02 of 08

BMT1212XH9.5F LF

2.Dimension



Unit: mm Tolerance:±0.3

This print and information there in are proprietary to Bestar Electronics Industry Co., Ltd. and shall not be used in whole or in part without its written content

				Date:	09/08/26	BMT1212XH9.5F LF	
B	09/08/26	魏奉玲	RohS	Drawn by:	魏奉玲		
A	02/12/10	王善梅		Checked by:	徐波	Transducer	
REV.	Date	Drawn	Note	Approved by:	陶红仲		
BESTAR ELECTRONICS INDUSTRY CO.,LTD						DRG NO: BS/TET01.169B	Page:03 of 08
www.be-star.com wu@be-star.com							

BMT1212XH9.5F LF

3. Reliability test

3.1 high temperature test

Temperature +70 °C
Duration 96hrs

3.2 low temperature test

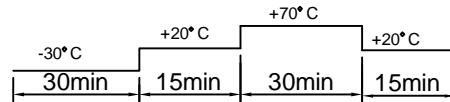
Temperature -30 °C
Duration 96hrs

3.3 life test in normal temperature

Power supply rated voltage
Duration 1000hrs

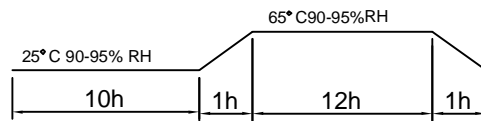
3.4 temperature cycle test

Cycles 5



3.5 Humidity cycle test cycles

5



all these tests above should be measured after leaving normal temperature for 2hrs.

3.6 Drop test

Height 70cm
(to 10mm thickness woodenboard)
Direction 3

3.7 Solderability test

Solderability temperature 255 °C±5° C
Heat applying time 3sec±0.5sec

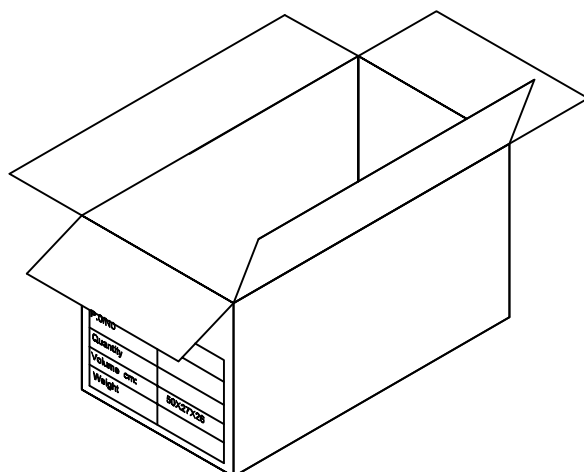
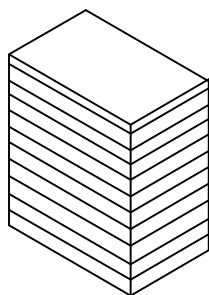
Notice: After the test the part shall meet specifications without any degraance and performance except S.P.L, S.P.L shall be 82dB more .

This print and information there in are proprietary to Bestar Electronics Industry Co., Ltd and shall not be used in whole or in part without its written content

				Date:	09/08/26	BMT1212XH9.5F LF
B	09/08/26	魏奉玲	RohS	Drawn by:	魏奉玲	
A	02/12/10	王善梅		Checked by:	徐波	Transducer
REV.	Date	Drawn	Note	Approved by:	陶红仲	
BESTAR ELECTRONICS INDUSTRY CO.,LTD						DRG NO: BS/TET01.169B
						Page:04 of 08

BMT1212XH9.5F LF

4. Packing



- 1)100pcs/tray
- 2)30trays/carton
- 3)3000 pcs/carton in total
- 4)carton size 50x27x26cm

This print and information there in are proprietary to Bestar Electronics Industry Co., Ltd. and shall not be used in whole or in part without its written consent

				Date:	09/08/26	BMT1212XH9.5F LF
B	09/08/26	魏奉玲	RohS	Drawn by:	魏奉玲	
A	02/12/10	王善梅		Checked by:	徐波	Transducer
REV.	Date	Drawn	Note	Approved by:	陶红仲	
BESTAR ELECTRONICS INDUSTRY CO.,LTD						
www.be-star.com wu@be-star.com						DRG NO: BS/TET01.169B
						Page:05 of 08

BMT1212XH9.5F LF

5. Notice

5.1 The products mustn't be washed

5.2 Storage Condition

The products should be stored in the room ,where the temperature/humidity is stable. And avoid such places where there are large temperature changes. Please store the product set the following conditions:

Temperature: -10 to + 40°C Humidity: 15 to 85% R.H.

5.3 Expire Date on Storage

Expire date (Shelf life) of the products is six months after delivery under the conditions of a sealed and an unopened package. Please use the products within six months after delivery.

If you store the products for a long time (more than six months), use carefully because the products may be degraded in the solderability and/or rusty.Please confirm solderability and characteristics for the products regularly.

5.4 Notice on Product Storage

(1) Please do not store the products in a chemical atmosphere (Acids, Alkali, Bases, Organic gas, Sulfides and so on), because the characteristics may be reduced at quality, and/or be degraded in the solderability due to the storage in a chemical atmosphere.

(2) Please use the products immediately after the package is opened, because the characteristics may be reduced at quality, and/or be degraded in the solderability due to storage under the poor condition.

5.5

5.5.1 Export Control <For customers outside The People's Republic of China>

No BeStar products should be used or sold, through any channels, for use in the design, development, production, utilization, maintenance or operation of, otherwise contribution to

(1) any weapons (Weapons of Mass Destruction [nuclear, chemical or biological weapons or missiles] or conventional weapons)

(2)goods or systems specially designed or intended for military end-use or utilization by military end-users.

This print and information there in are proprietary to Bestar Electronics Industry Co., Ltd and shall not be used in whole or in part without its written content

				Date:	09/08/26	BMT1212XH9.5F LF
B	09/08/26	魏奉玲	RohS	Drawn by:	魏奉玲	
A	02/12/10	王善梅		Checked by:	徐波	Transducer
Rev.	Date	Drawn	Note	Approved by:	陶红仲	
BESTAR ELECTRONICS INDUSTRY CO.,LTD www.be-star.com wu@be-star.com						DRG NO: BS/TET01.169B Page:06 of 08

BMT1212XH9.5F LF

5.5.2 Please contact our sales representatives or product engineers before using the products in the specification or catalogue for the applications listed below, which require especially high reliability for the prevention of defects which might directly damage a third party's life, body or property, or when one of our products is intended for use in applications other than those specified in this specification.

- a) Aircraft equipment or Aerospace equipment
- b) Undersea equipment and Power plant equipment
- c) Medical equipment and Transportation equipment (vehicles, trains, ships, etc.)
- d) Traffic signal equipment i Disaster prevention / crime prevention equipment
- e) Data-processing equipment including Application of similar complexity and/or reliability requirements to the applications listed above

5.5.3 Product specifications and catalogues are subject to change and our products in them may be discontinued without advance notice.

Please check with our sales representatives or product engineers before ordering. If there are any questions, please contact our sales representatives or product engineers.

5.5.4 Please read rating and CAUTION (for storage, operating, rating, soldering, mounting and handling) in this specifications in order to prevent smoking and/or burning, etc.

5.5.5 Please note that unless otherwise specified, we shall assume no responsibility whatsoever for any conflict or dispute that may occur in connection with the effect of our and/or a third party's intellectual property rights and other related rights in consideration of your use of our products and/or information described or contained in our specifications and catalogues. In this connection, no representation shall be made to the effect that any third parties are authorized to use the rights mentioned above under licenses without our consent.

5.5.6 No ozone depleting substances (ODS) under the Montreal Protocol are used in our manufacturing process.

This print and information there in are proprietary to Bestar Electronics Industry Co., Ltd. and shall not be used in whole or in part without its written consent.

				Date:	09/08/26	BMT1212XH9.5F LF
B	09/08/26	魏奉玲	RohS	Drawn by:	魏奉玲	
A	02/12/10	王善梅		Checked by:	徐波	
Rev.	Date	Drawn	Note	Approved by:	陶红仲	Transducer
BESTAR ELECTRONICS INDUSTRY CO.,LTD www.be-star.com wu@be-star.com						DRG NO: BS/TET01.169B Page:07 of 08

BMT1212XH9.5F LF

6. History change record

version No.	Change Items		Date	Drawn	Approved
	Before	After			
A			02/12/10	王善梅	查红红
B		RohS	09/08/26	魏奉玲	陶红仲

This print and information there in are proprietary to Bestar Electronics Industry Co., Ltd. and shall not be used in whole or in part without its written content

				Date:	09/08/26	BMT1212XH9.5F LF
B	09/08/26	魏奉玲	RohS	Drawn by:	魏奉玲	
A	02/12/10	王善梅		Checked by:	徐波	
REV.	Date	Drawn	Note	Approved by:	陶红仲	Transducer
BESTAR ELECTRONICS INDUSTRY CO.,LTD						
www.be-star.com wu@be-star.com						DRG NO: BS/TET01.169B
						Page:08 of 08