



SPECIFICATION
FOR ELECTRO-MAGNET TRANSDUCER

TOTAL PAGE	09	www.be-star.com	RoHS
------------	----	--	------

Customer		Model Name	SMT1212-05XH6.5 LF
Customer P/N		Product No.	051602
Date	19 Aug. 09	Issue No.	BS/TET01.059D
Page	01 of 09	Issue Date	09/08/19

Approval:

- 1.Characteristics
- 2.Dimension
- 3.Reliability Test
- 4.Surface Mounting Condition
- 5.Packing
- 6.Notice
- 7.History change record

Drawn by	Checked by	Approved by	Customer approved
魏奉玲	徐 波	陶红仲	

BESTAR ELECTRONICS INDUSTRY CO.,LTD

No.199 HuangHe West Road.New district,ChangZhou,JiangSu Province,P.R.China

Tel: +86 519 88222567 **Fax:** +86 519 88222551

E-mail:wu@be-star.com **<http://www.be-star.com>**

SMT1212-05XH6.5 LF

1.Characteristics

1.1 Features

1. SMD;thinner , smaller size
2. High S.P.L.; and clear sound
3. Reflowable;RoHS complant
4. Tape & Reel supply
5. Minimum quantity (one reel): 500 pcs.



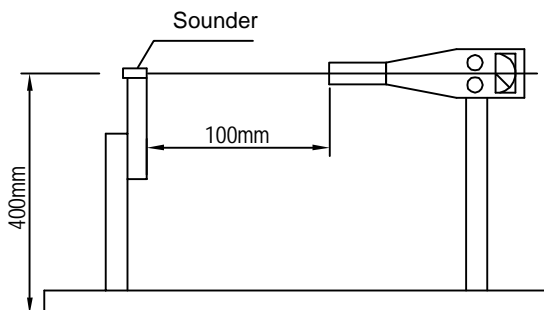
1.2 Electrical and Mechanical Characteristics

No	Type	Specifications
1	Rated Voltage (V)	5
2	Operating Voltage (V)	4-7
3	a)Rated Current (mA)	max.30
4	a)Sound Output at 10cm(dB)	min.85
5	a)Resonant Frequency(Hz)	2300 ± 300
6	Operating Temperature(°C)	-40~+85
7	Storage Temperature(°C)	-40~+90
8	Weight (g)	2
	a)Value applying rated voltage(DC)	
	Sound Output after reliability test more than 75 dB	

1.3 Test method:

Standard test Fixture

No reaction in space with in 400mm in all direction

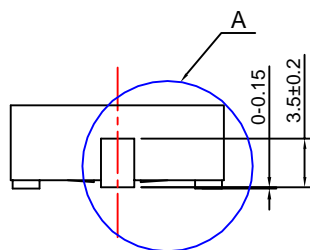
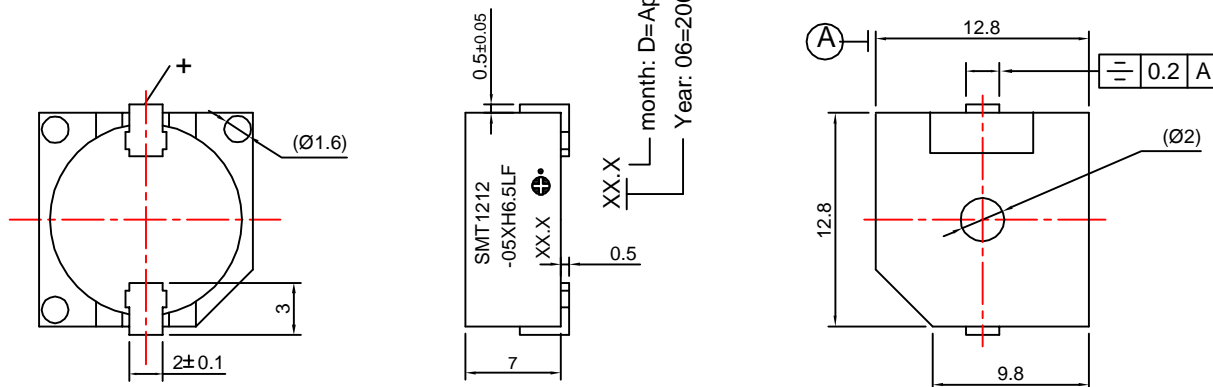


This print and information there in are proprietary to Bestar Electronics Industry Co., Ltd. and shall not be used in whole or in part without its written consent

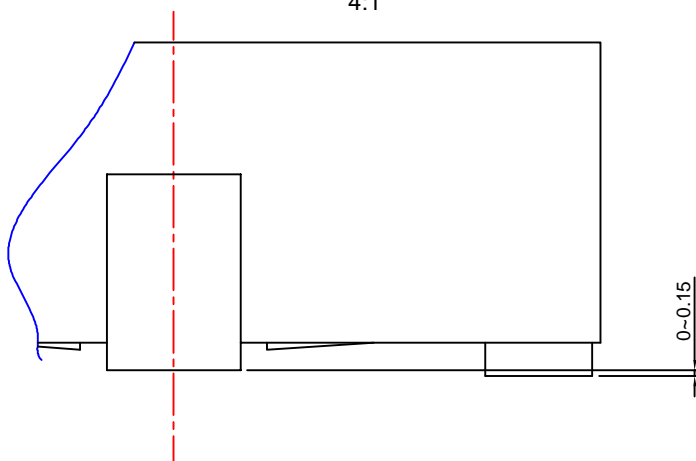
D	09/08/19	魏奉玲	change the height	Date:	09/08/19	SMT1212-05XH6.5 LF	
C	07/08/25	王善梅	change into reel packing	Drawn by:	魏奉玲		
B	06/02/17	王善梅	add reflow soldering curve	Checked by:	徐波	Transducer	
REV.	Date	Drawn	Note	Approved by:	陶红仲		
BESTAR ELECTRONICS INDUSTRY CO.,LTD						DRG NO: BS/TET01.059D	Page:02 of 09
www.be-star.com wu@be-star.com							

SMT1212-05XH6.5 LF

2.Dimension:



A
4:1



Tolerance: $\pm 0.3\text{mm}$

This print and information there in are proprietary to Bestar Electronics Industry Co., Ltd. and shall not be used in whole or in part without its written content

D	09/08/19	魏奉玲	change the height	Date:	09/08/19	SMT1212-05XH6.5 LF	
C	07/08/25	王善梅	change into reel packing	Drawn by:	魏奉玲		
B	06/02/17	王善梅	add reflow soldering curve	Checked by:	徐波	Transducer	
REV.	Date	Drawn	Note	Approved by:	陶红仲		
BESTAR ELECTRONICS INDUSTRY CO.,LTD						DRG NO: BS/TET01.059D	Page: 03 of 09

SMT1212-05XH6.5 LF

3. Reliability Test

3.1 High temperature storage test

Temperature +90° C
Duration 96hrs

3.2 Low temperature storage test

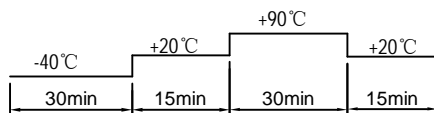
Temperature -40° C
Duration 96hrs

3.3 Life test in normal temperature

Power supply Rated voltage
Duration 1000hrs

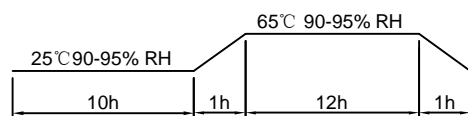
3.4 Temperature cycle test

Cycles 5



3.5 Humidity cycle test

Cycles 5



All these tests above should be measured after leaving normal temperature for 4hrs.

3.6 Vibration Test

Vibration Frequency 10~55Hz
Amplitude 1.53mm
Direction 3(x.y&z)
Duration 2hrs each direction (total 6 hrs)

3.7 Drop test

Height 70cm
(to 10mm thickness woodenboard)
Direction 3(x.y&z)

3.8 Solderability Test

Soldering Temperature 250 ± 5° C
Duration 3 ± 0.5sec

Notice: All specification must be satisfied in this condition except SPL. SPL shall be 75dB or more.

D	09/08/19	魏奉玲	change the height	Date:	09/08/19	SMT1212-05XH6.5 LF
C	07/08/25	王善梅	change into reel packing	Drawn by:	魏奉玲	
B	06/02/17	王善梅	add reflow soldering curve	Checked by:	徐波	Transducer
REV.	Date	Drawn	Note	Approved by:	陶红仲	

SMT1212-05XH6.5 LF

4.Surface Mounting Condition

In automated mounting of The SMD Sound Transducers on printed circuit boards,any bending,expanding and pulling forces or shocks against the SMD Sound Transducers shall be kept to a minimum to prevent them from electrical failures and mechanical damages of the devices.

Soldering(Reflow)

- (1)Soldering of The SMD Sound Transducers shall conform to the soldering conditions in the individual specifications.
- (2)The SMD Sound Transducers are designed for"Reflow Soldering"
- (3)In the reflow soldering,too high soldering temperatures and too large tempearture gradient such as rapid heating or cooling may cause electrical failures and mechanical damages of the devices.

Following soldering conditions are recommended; Refer to Fig.1

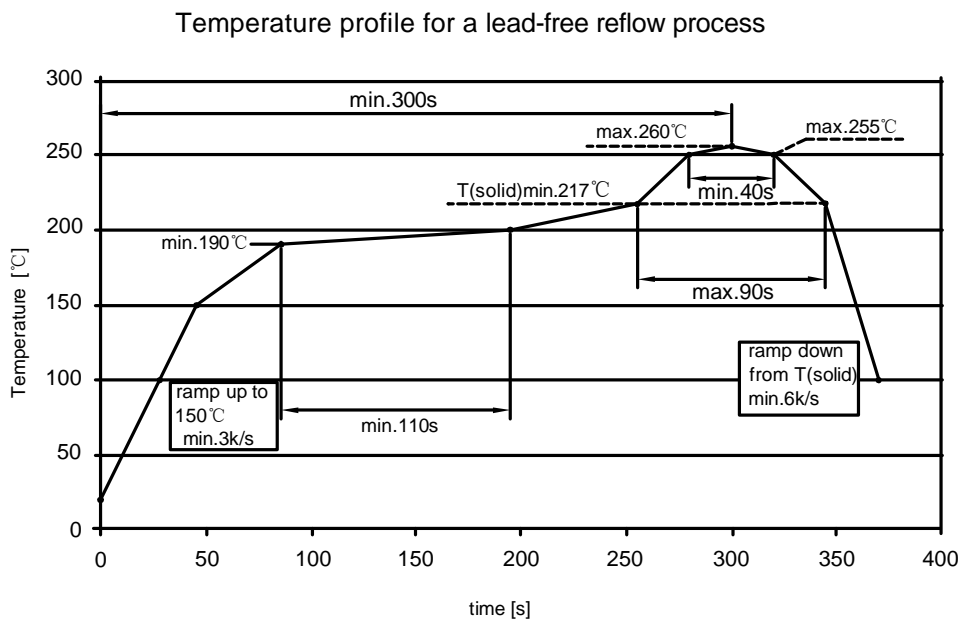


Fig. 1 Recommended soldering Temperature-Time profile (Reflow soldering)

Notice: All specification must be satisfied in this condition except SPL. SPL shall be 82dB or more.

D	09/08/19	魏奉玲	change the height	Date:	09/08/19	SMT1212-05XH6.5 LF	
C	07/08/25	王善梅	change into reel packing	Drawn by:	魏奉玲		
B	06/02/17	王善梅	add reflow soldering curve	Checked by:	徐波	Transducer	
REV.	Date	Drawn	Note	Approved by:	陶红仲		
BESTAR ELECTRONICS INDUSTRY CO.,LTD						DRG NO: BS/TET01.059D	Page:05 of 09
www.be-star.com wu@be-star.com							

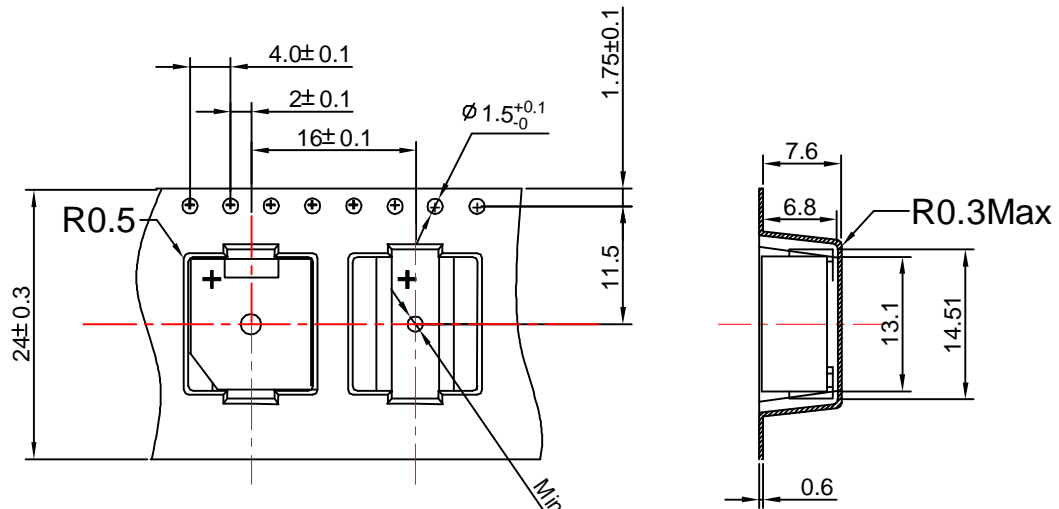
This print and information there in are propriety to Bestar Electronics Industry Co., Ltd. and shall not be used in whole or in part without its written content

SMT1212-05XH6.5 LF

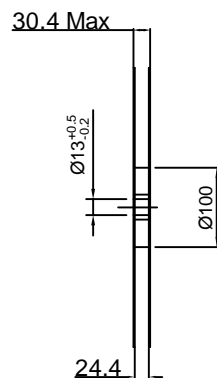
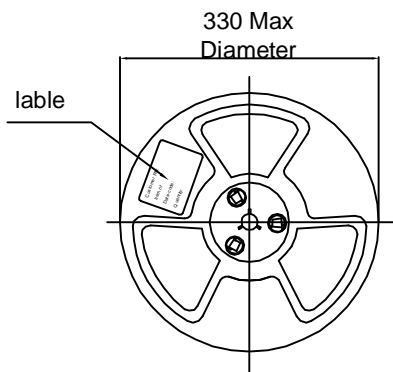
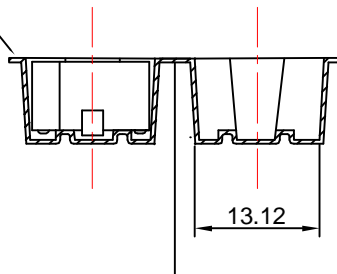
5. Packing

5.1 Reel packing

5.1.1 Reel drawing



The cover film peel strength force 0.1-0.7N
The cover film peel speed 300mm/min.



This print and information there in are proprietary to Bestar Electronics Industry Co., Ltd. and shall not be used in whole or in part without its written consent.

D	09/08/19	魏奉玲	change the height	Date:	09/08/19	SMT1212-05XH6.5 LF
C	07/08/25	王善梅	change into reel packing	Drawn by:	魏奉玲	
B	06/02/17	王善梅	add reflow soldering curve	Checked by:	徐波	Transducer
REV.	Date	Drawn	Note	Approved by:	陶红仲	

BESTAR ELECTRONICS INDUSTRY CO.,LTD

www.be-star.com wu@be-star.com

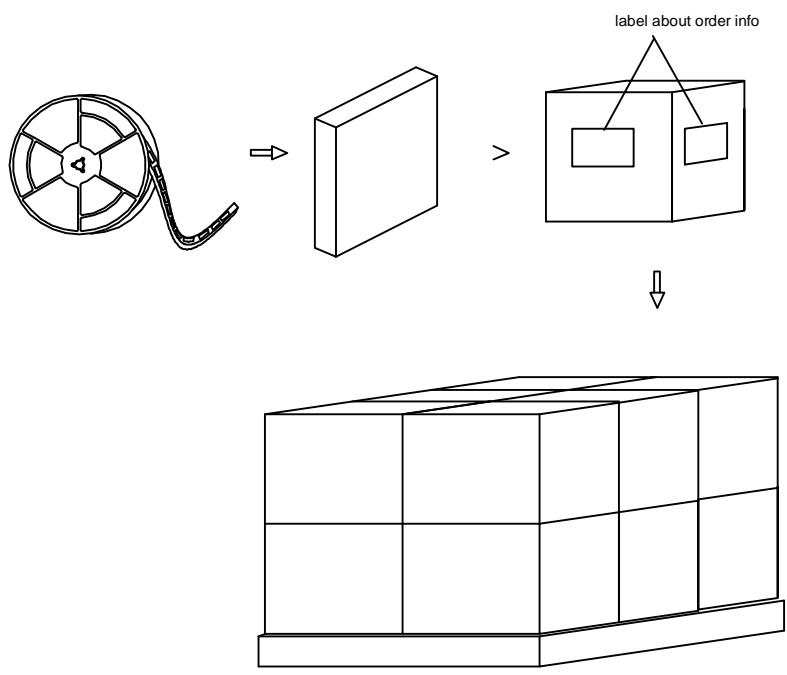
DRG NO: BS/TET01.059D

Page:06 of 09

SMT1212-05XH6.5 LF

5.2 packing quantity

- 5.21 500pcs/reel
- 5.22 5reels/carton
- 5.23 2500 pcs/carton in total
- 5.24 carton size 38x28x37cm
- 5.25 12cartons/tray
- 5.26 tray size 85x77x74cm



This print and information there in are propriety to Bestar Electronics Industry Co., Ltd. and shall not be used in whole or in part without its written content.

D	09/08/19	魏奉玲	change the height	Date:	09/08/19	SMT1212-05XH6.5 LF
C	07/08/25	王善梅	change into reel packing	Drawn by:	魏奉玲	
B	06/02/17	王善梅	add reflow soldering curve	Checked by:	徐波	Transducer
REV.	Date	Drawn	Note	Approved by:	陶红仲	
BESTAR ELECTRONICS INDUSTRY CO.,LTD					DRG NO: BS/TET01.059D	
www.be-star.com wu@be-star.com					Page:07 of 09	

SMT1212-05XH6.5 LF

6. Notice

6.1 The products mustn't be washed

6.2 Storage Condition

The products should be stored in the room ,where the temperature/humidity is stable. And avoid such places where there are large temperature changes. Please store the products at the following conditions:

Temperature: -10 to + 40 ° C Humidity: 15 to 85% R.H.

6.3 Expire Date on Storage

Expire date (Shelf life) of the products is six months after delivered under the conditions of a sealed and an unopened package. Please use the products within six months after delivered.

If you store the products for a long time (more than six months), use carefully because the products may be degraded in the solderability and/or rusty. Please confirm solderability and characteristics for the products regularly.

6.4 Notice on Product Storage

(1) Please do not store the products in a chemical atmosphere (Acids, Alkali, Bases, Organic gas, Sulfides and so on), because the characteristics may be reduced at quality, and/or be degraded in the solderability due to the storage in a chemical atmosphere.

(2) Please use the products immediately after the package is opened, because the characteristics may be reduced at quality, and/or be degraded in the solderability due to storage under the poor condition.

This print and information there in are proprietary to Bestar Electronics Industry Co., Ltd. and shall not be used in whole or in part without its written content

D	09/08/19	魏奉玲	change the height	Date:	09/08/19	SMT1212-05XH6.5 LF	
C	07/08/25	王善梅	change into reel packing	Drawn by:	魏奉玲		
B	06/02/17	王善梅	add reflow soldering curve	Checked by:	徐波	Transducer	
REV.	Date	Drawn	Note	Approved by:	陶红仲		
BESTAR ELECTRONICS INDUSTRY CO.,LTD www.be-star.com wu@be-star.com						DRG NO: BS/TET01.059D	Page: 08 of 09

SMT1212-05XH6.5 LF

7. History change record

version No.	Change Items		Date	Drawn	Approved
	Before	After			
A			04/05/24	王善梅	郭 敏
B		Add reflow soldering curve	06/02/17	王善梅	郭 敏
C		change into the reel package	07/08/25	魏奉玲	张秀琴
D	the height: 6.5±0.3	the height: 7.0±0.3	09/08/19	魏奉玲	陶红仲

This print and information there in are proprietary to Bestar Electronics Industry Co., Ltd. and shall not be used in whole or in part without its written content

D	09/08/19	魏奉玲	change the height	Date:	09/08/19	SMT1212-05XH6.5 LF	
C	07/08/25	王善梅	change into reel packing	Drawn by:	魏奉玲		
B	06/02/17	王善梅	add reflow soldering curve	Checked by:	徐 波	Transducer	
REV.	Date	Drawn	Note	Approved by:	陶红仲		
BESTAR ELECTRONICS INDUSTRY CO.,LTD www.be-star.com wu@be-star.com						DRG NO: BS/TET01.059D	Page:09 of 09