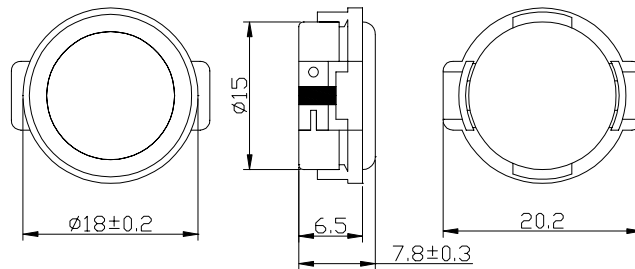
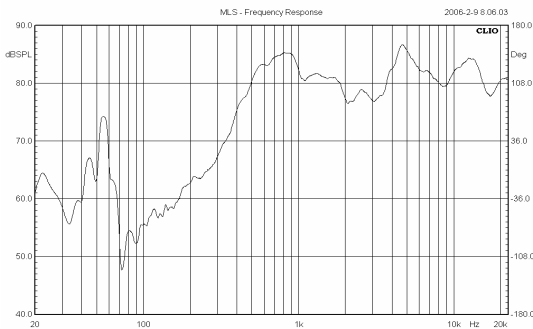


Notebook PC-Speaker



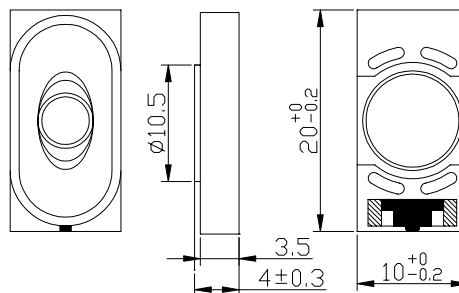
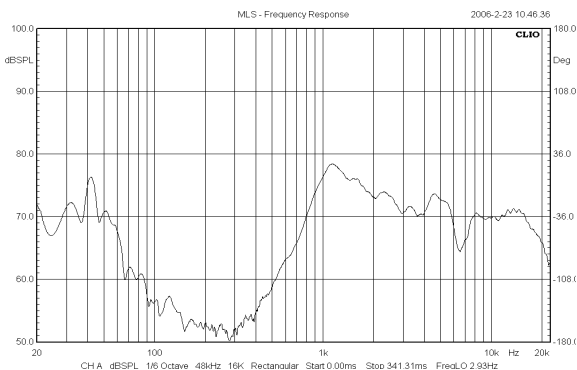
BLS18-11-04H7.8 LF

Item	Specification
Impedance (at 1.0kHz)	$4 \pm 15\% \Omega$
Rated Input Power	1.5W
Maximum Input Power	2.0W
Resonance Frequency	$500 \pm 20\% \text{Hz}$
Frequency Response	$F_0 \sim 16\text{KHz}$
Output SPL	$84 \pm 3\text{dB}/0.3\text{M } 1\text{W}$ at 0.6, 0.8, 1.0, 1.2KHz average
Distortion (at 1kHz, 1.5W)	$\leq 5\%$
Buzzes & Rattles	Must be normal at sine wave 2.45V
Operating Temperature	$-20 \sim +65 \text{ }^\circ\text{C}$
Storage Temperature	$-20 \sim +70 \text{ }^\circ\text{C}$



BLS1020-11-04H04 LF

Item	Specification
Impedance (at 1.0kHz)	$4 \pm 15\% \Omega$
Rated Input Power	1.0W
Maximum Input Power	1.5W
Resonance Frequency	$1200 \pm 20\% \text{Hz}$
Frequency Response	$F_0 \sim 20\text{KHz}$
Output SPL	$77 \pm 3\text{dB}/0.3\text{M } 1\text{W}$ at 1.0, 1.2, 1.5, 2.0KHz average
Distortion (at 1kHz, 1.0W)	$\leq 5\%$
Buzzes & Rattles	Must be normal at sine wave 2.0V
Operating Temperature	$-20 \sim +65 \text{ }^\circ\text{C}$
Storage Temperature	$-20 \sim +70 \text{ }^\circ\text{C}$

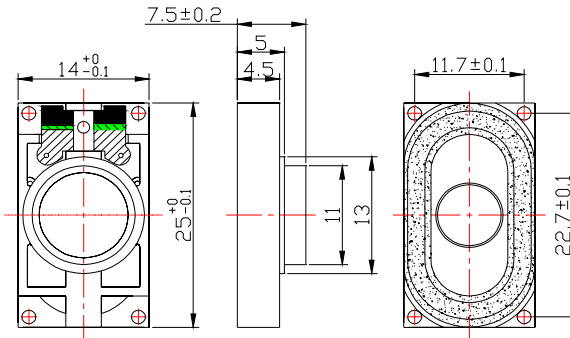
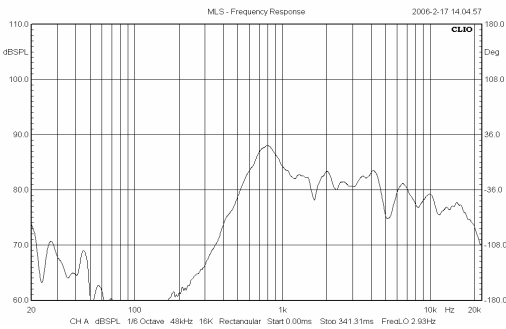


Notebook PC-Speaker



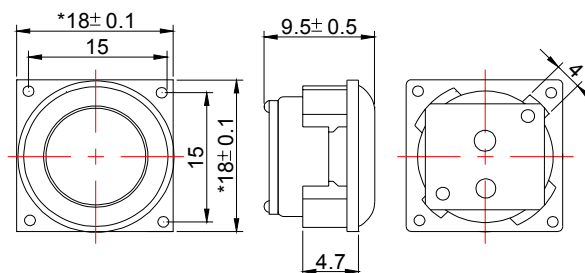
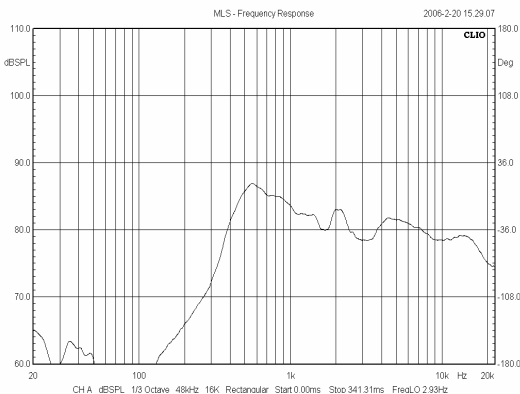
BLS1425-11-04H7.5

Item	Specification
Impedance (at 1.0kHz)	$4 \pm 15\% \Omega$
Rated Input Power	1.5W
Maximum Input Power	2.0W
Resonance Frequency	$600 \pm 20\% \text{Hz}$
Frequency Response	F0~20KHz
Output SPL	$82 \pm 3\text{dB}/0.3\text{M } 1\text{W}$ at 0.8, 1.0, 1.5, 2.0KHz average
Distortion (at 1kHz, 1.5W)	$\leq 5\%$
Buzzes & Rattles	Must be normal at sine wave 2.45V
Operating Temperature	$-20 \sim +65 \text{ }^\circ\text{C}$
Storage Temperature	$-20 \sim +70 \text{ }^\circ\text{C}$



BMS1818-11-04H09

Dimensions	18x18x9mm
AC Impedance	$4 \pm 15\%$ at 1500Hz(ohm)
Rated Input Power	2W
Max. input power	2.5W
Resonance Frequency	$520 \pm 104\text{Hz}$
Output Sound Pressure Level	$84 \pm 3\text{dB } 1\text{W}/0.3\text{m}$ at 0.6, 0.8, 1.0, 1.2KHz
Distortion(2W, 1.5KHz)	max.5%
Frequency Response	Fo~20KHz
Buzzes & rattles	must be normal at 2.83V sine wave
Operating Temperature	$-30 \sim +65 \text{ }^\circ\text{C}$
Storage Temperature	$-40 \sim +70 \text{ }^\circ\text{C}$

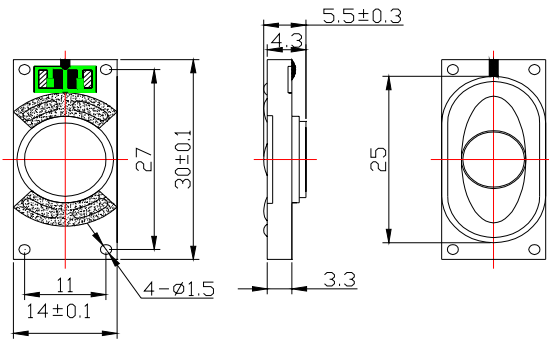
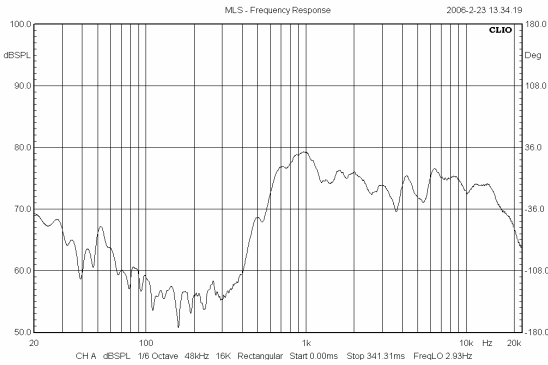


Notebook PC-Speaker



BLS1430-11-04H5.5 LF

Item	Specification
Impedance (at 1.0kHz)	$4 \pm 15\% \Omega$
Rated Input Power	1.5W
Maximum Input Power	2.0W
Resonance Frequency	$700 \pm 20\% \text{Hz}$
Frequency Response	F0~20KHz
Output SPL	$77 \pm 3\text{dB}/1\text{M } 1\text{W}$ at 0.8, 1.0, 1.2, 1.5KHz average
Distortion (at 1kHz, 1.5W)	$\leq 5\%$
Operating Temperature	-20~+65 °C
Storage Temperature	-20~+70 °C



BLS1235-1-04H05

Item	Specification
Impedance (at 1.0kHz)	$4 \pm 15\% \Omega$
Rated Input Power	1.5W
Maximum Input Power	2.0W
Resonance Frequency	$850 \pm 20\% \text{Hz}$
Frequency Response	F0~20KHz
Output SPL	$77 \pm 3\text{dB}/1\text{M } 1\text{W}$ at 0.8, 1.0, 1.2, 1.5KHz average
Distortion (at 1kHz, 1.5W)	$\leq 5\%$
Operating Temperature	-20~+65 °C
Storage Temperature	-20~+70 °C

