

## Specification For The Acoustic Characteristics of Dynamic Speaker

|              |            |             |                          |
|--------------|------------|-------------|--------------------------|
| Customer     |            | Model Name  | BTD44-12-03H20.1-01-S LF |
| Customer P/N |            | Product No. | 260104                   |
| Date         | 08 Apr. 17 | Issue No.   | BS/TES01.1670A0          |
| Page         | 01 of 07   | Issue Date  | 2017.04.08               |

### Approval:

- 1.Characteristics
- 2.Drawing
- 3.Reliability Test
- 4.Packing
- 5.History Change Record

| Drawn by | Checked by | Approved by | Customer approved |
|----------|------------|-------------|-------------------|
| 杨利平      | 黄金         | 徐波          |                   |

### ***BESTAR ELECTRONICS INDUSTRY CO.,LTD***

No.199 HuangHe West Road,New district,ChangZhou,JiangSu Province,P.R.China

**Tel:** +86 519 88222567      **Fax:** +86 519 88222551

**E-mail:**[wu@be-star.com](mailto:wu@be-star.com)      **<http://www.be-star.com>**

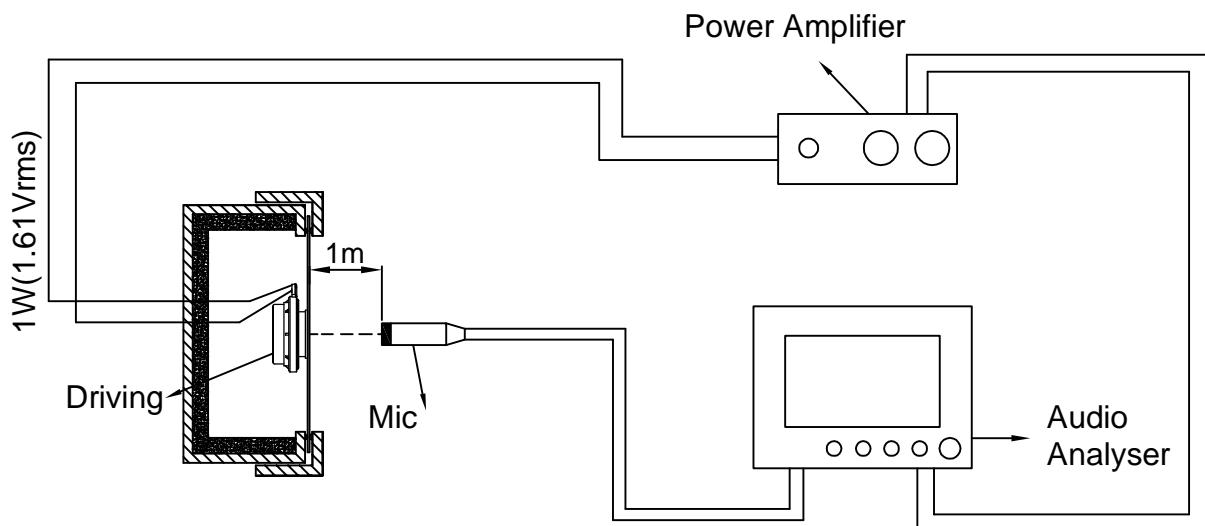
BTD44-12-03H20.1-01-S LF

# 1.Characteristics

## 1.1 Electrical and Mechanical Characteristics

| No. | Item                  | Specification                                   |
|-----|-----------------------|---|
| 1.  | Dimension             | Ø44 ×20.1(mm)                                   |
| 2.  | AC Impedance          | 3 Ω ±15%(at 1KHz)                               |
| 3.  | Rated Input Power     | 10W(5.09Vrms)                                   |
| 4.  | Maximum Input Power   | 20W(7.21Vrms)                                   |
| 5.  | Resonance Frequency   | 250Hz ±20%                                      |
| 6.  | Frequency Response    | f <sub>o</sub> ~20KHz                           |
| 7.  | T.H.D(1W)             | <5% at 1.0KHz                                   |
| 8.  | Buzzes & Rattles      | Must be normal at sine wave 5.09 Vrms           |
| 9.  | Polarity              | Positive voltage to (+),Diaphragm moves forward |
| 10. | Operating Temperature | -40~+ 85°C                                      |
| 11. | Storage Temperature   | -40~+ 85°C                                      |
| 12. | Weight                | ~70g  |

## 1.2 Test Method

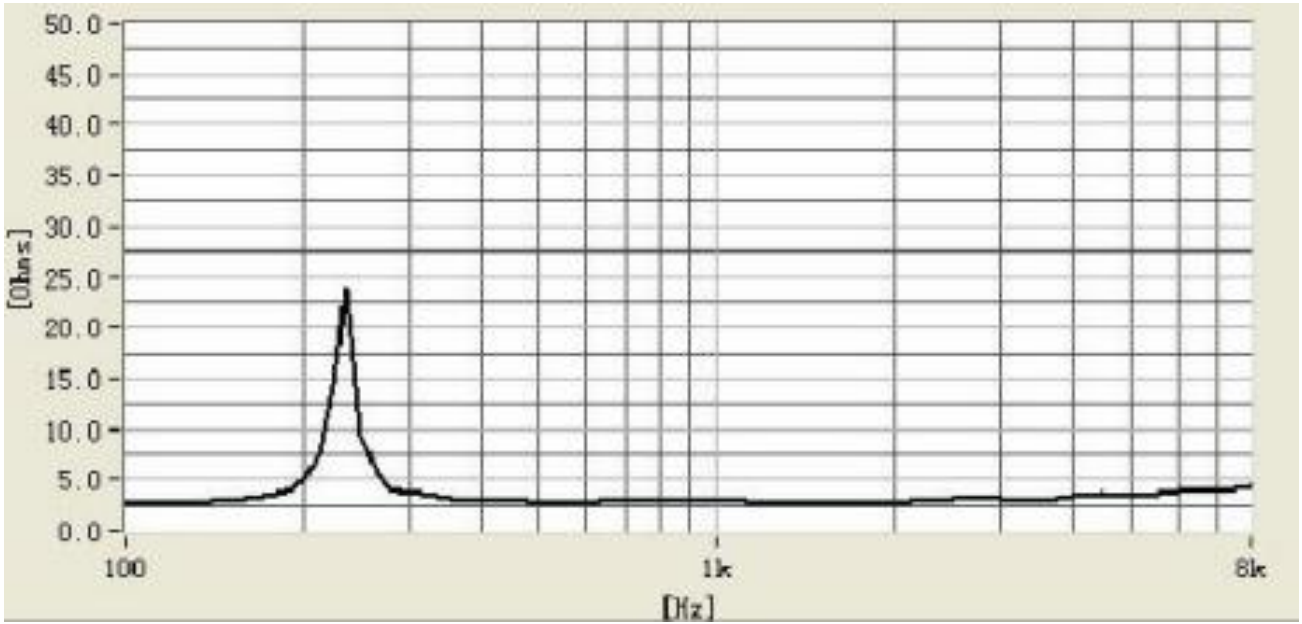


|  |            |       |      |              |            |                                      |
|--|------------|-------|------|--------------|------------|--------------------------------------|
|  |            |       |      | Date:        | 2017.04.08 | BTD44-12-03H20.1-01-S LF             |
|  |            |       |      | Drawn by:    | 杨利平        |                                      |
| A0   | 2017.04.08 | 杨利平   |      | Checked by:  | 黄金         | Speaker                              |
| Rev.   | Date       | Drawn | Note | Approved by: | 徐波         |                                      |
| BESTAR Holdings Co., Ltd   |            |       |      |              |            | DRG NO:BS/TES01.1670A0 Page:02 of 07 |
| <a href="http://www.be-star.com">http://www.be-star.com</a> <a href="mailto:info@be-star.com">info@be-star.com</a> |            |       |      |              |            |                                      |

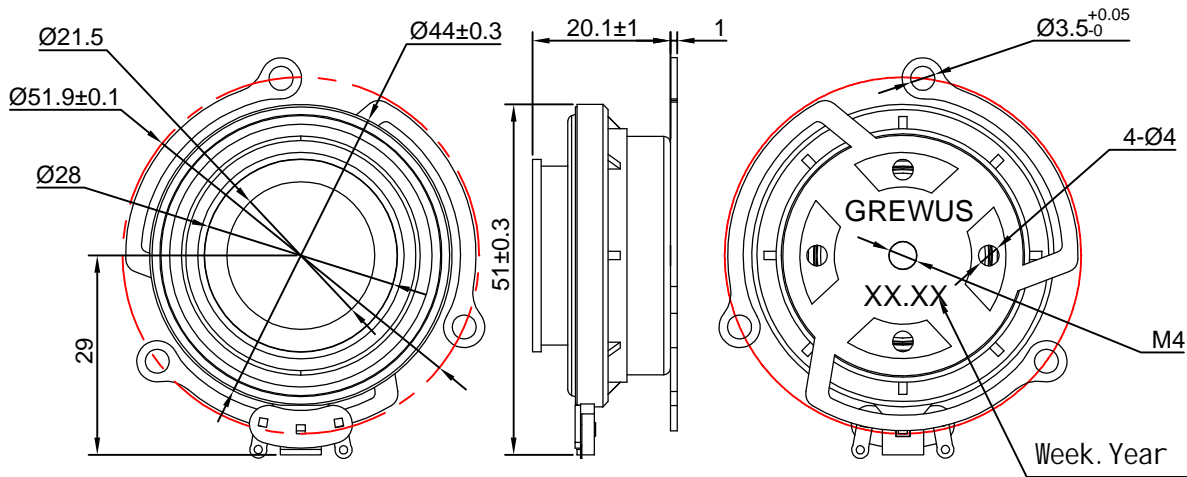
This print and information there in are propriety to BESTAR Holdings Co., Ltd. and shall not be used in whole or in part without its written content

BTD44-12-03H20.1-01-S LF

1.5 Impedance Response Curve (only for reference)



2.Drawing



unit: mm  
Tol: ±0.5mm

|  |            |       |      |              |            |                                      |
|--|------------|-------|------|--------------|------------|--------------------------------------|
|  |            |       |      | Date:        | 2017.04.08 | BTD44-12-03H20.1-01-S LF             |
|  |            |       |      | Drawn by:    | 杨利平        |                                      |
| A0   | 2017.04.08 | 杨利平   |      | Checked by:  | 黄金         | Speaker                              |
| Rev.   | Date       | Drawn | Note | Approved by: | 徐波         |                                      |
| BESTAR Holdings Co., Ltd   |            |       |      |              |            | DRG NO:BS/TES01.1670A0 Page:04 of 07 |
| <a href="http://www.be-star.com">http://www.be-star.com</a> <a href="mailto:info@be-star.com">info@be-star.com</a> |            |       |      |              |            |                                      |

This print and information there in are proprietary to BESTAR Holdings Co., Ltd. and shall not be used in whole or in part without its written consent.

BTD44-12-03H20.1-01-S LF

### 3. Reliability Test

|                           |                   |                                |
|---------------------------|-------------------|--------------------------------|
| 3.1 Load Test             | Power (Nom)       | 5.09W(white noise)             |
|                           | Duration          | 96hrs                          |
| 3.2 High Temperature Test | Temperature       | +85±2°C                        |
|                           | Duration          | 96hrs                          |
| 3.3 Low Temperature Test  | Temperature       | -40±2°C                        |
|                           | Duration          | 96hrs                          |
| 3.4 Damp Heat             | Temperature       | 40±2°C                         |
|                           | Relative Humidity | 90%-95%RH                      |
|                           | Duration          | 96hrs                          |
| 3.5 Drop Test             | Height            | 75cm                           |
|                           | Drop face         | free falling on concrete floor |
|                           | Times             | 10 times                       |
| 3.6 Vibration Test        | Frequency         | 30±15Hz                        |
|                           | Amplitude         | 1.5mm for 3hrs                 |

**Notice:**

1. After test leave at room temperature for 1 hours, SPL shall not deviate by ±3dB from pre-test measurement, and meet above spec. item 5,6,7,8,9

This print and information there in are propriety to BESTAR Holdings Co., Ltd. and shall not be used in whole or in part without its written content

|  |            |       |      |              |            |                          |
|--|------------|-------|------|--------------|------------|--------------------------|
|  |            |       |      | Date:        | 2017.04.08 | BTD44-12-03H20.1-01-S LF |
|  |            |       |      | Drawn by:    | 杨利平        |                          |
| A0   | 2017.04.08 | 杨利平   |      | Checked by:  | 黄金         | Speaker                  |
| Rev.   | Date       | Drawn | Note | Approved by: | 徐波         |                          |
| BESTAR Holdings Co., Ltd   |            |       |      |              |            | DRG NO:BS/TES01.1670A0   |
| <a href="http://www.be-star.com">http://www.be-star.com</a> <a href="mailto:info@be-star.com">info@be-star.com</a> |            |       |      |              |            | Page:05 of 07            |

BTD44-12-03H20.1-01-S LF

4. Packing

**T B D**

This print and information there in are propriety to BESTAR Holdings Co., Ltd. and shall not be used in whole or in part without its written content

|  |            |       |      |              |            |                                      |
|--|------------|-------|------|--------------|------------|--------------------------------------|
|  |            |       |      | Date:        | 2017.04.08 | BTD44-12-03H20.1-01-S LF             |
|  |            |       |      | Drawn by:    | 杨利平        |                                      |
| A0   | 2017.04.08 | 杨利平   |      | Checked by:  | 黄金         | Speaker                              |
| Rev.   | Date       | Drawn | Note | Approved by: | 徐波         |                                      |
| BESTAR Holdings Co., Ltd   |            |       |      |              |            | DRG NO:BS/TES01.1670A0 Page:06 of 07 |
| <a href="http://www.be-star.com">http://www.be-star.com</a> <a href="mailto:info@be-star.com">info@be-star.com</a> |            |       |      |              |            |                                      |

